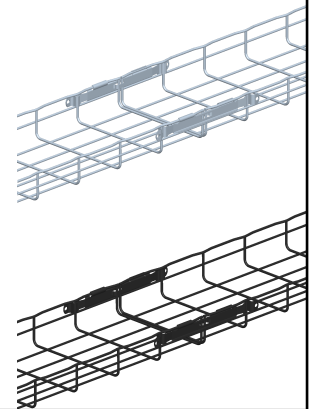
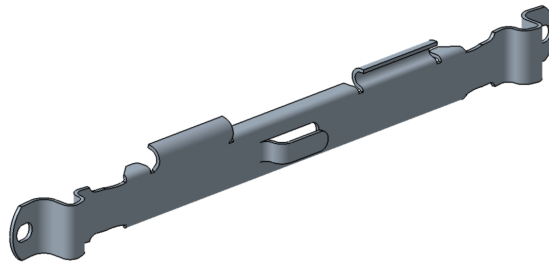
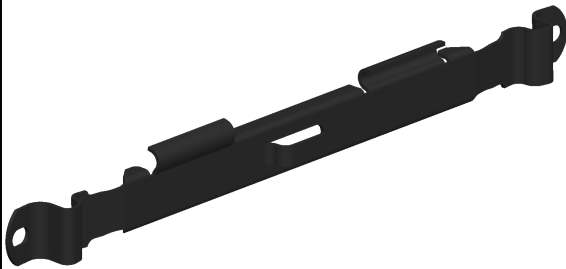
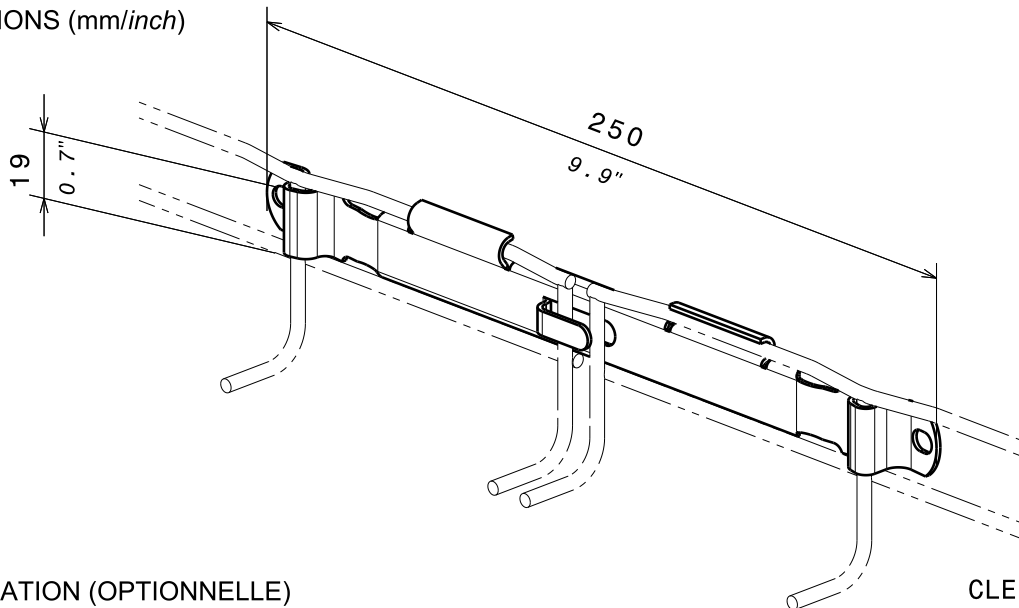


**ECLISSE EDRN
EDRN SPLICE**

Reference(s) : 558 241/42/44/47


1. RANGE

Designation	Code	Poids / Weight		Epaisseur / Thickness		Matière / Material	Norme / Standard	Finition / Coating	Norme / Standard
		(Kg)	(lb)	(mm)	(inch)				
EDRN EZ	558241	0.068	0.149	1.3	0.51"	C 45E LC	NF EN 10132-1/3	Fe/Zn12/A	Class 3 according to CEI 61537
EDRN EZ+ Black	558242	0.068	0.149	1.3	0.51"	C 45E LC	NF EN 10132-1/3	Fe/Zn12/A Black Varnish	Class 3 according to CEI 61537
EDRN SS301	558244	0.068	0.149	1.3	0.51"	X10 Cr Ni 18-8	EN 10088-2	SS301	-
EDRN DC	558247	0.068	0.149	1.3	0.51"	C 45E LC	NF EN 10132-1/3	Zinc Lamellaire	Class 3 according to CEI 61537

2. DIMENSIONS (mm/inch)

3. INSTALLATION (OPTIONNELLE)

CLE/KEY EDRN 558260

