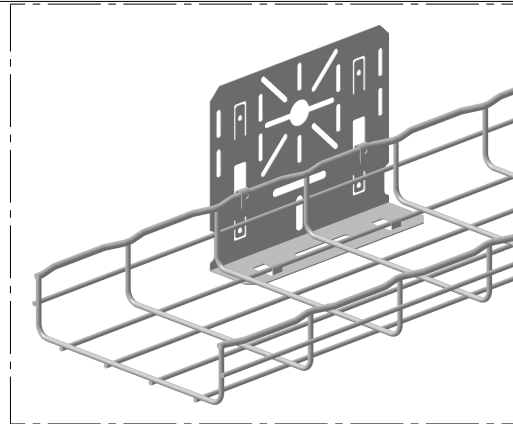
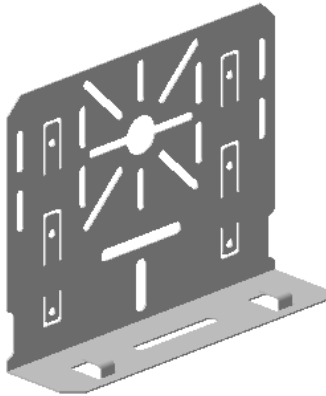
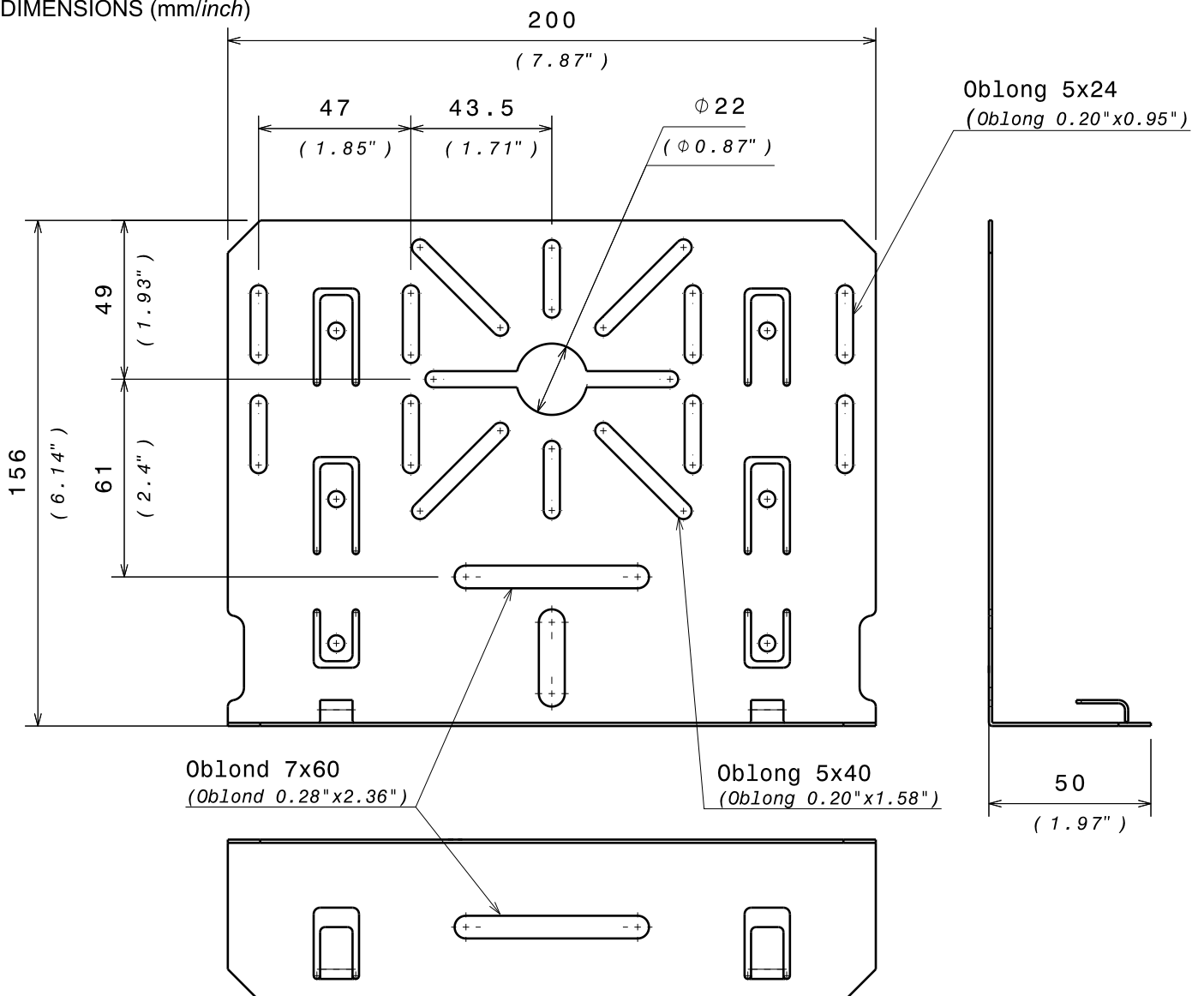


**SUPPORT UNIVERSEL SUBD
SUBD UNIVERSAL SUPPORT**

Reference(s) : 350588

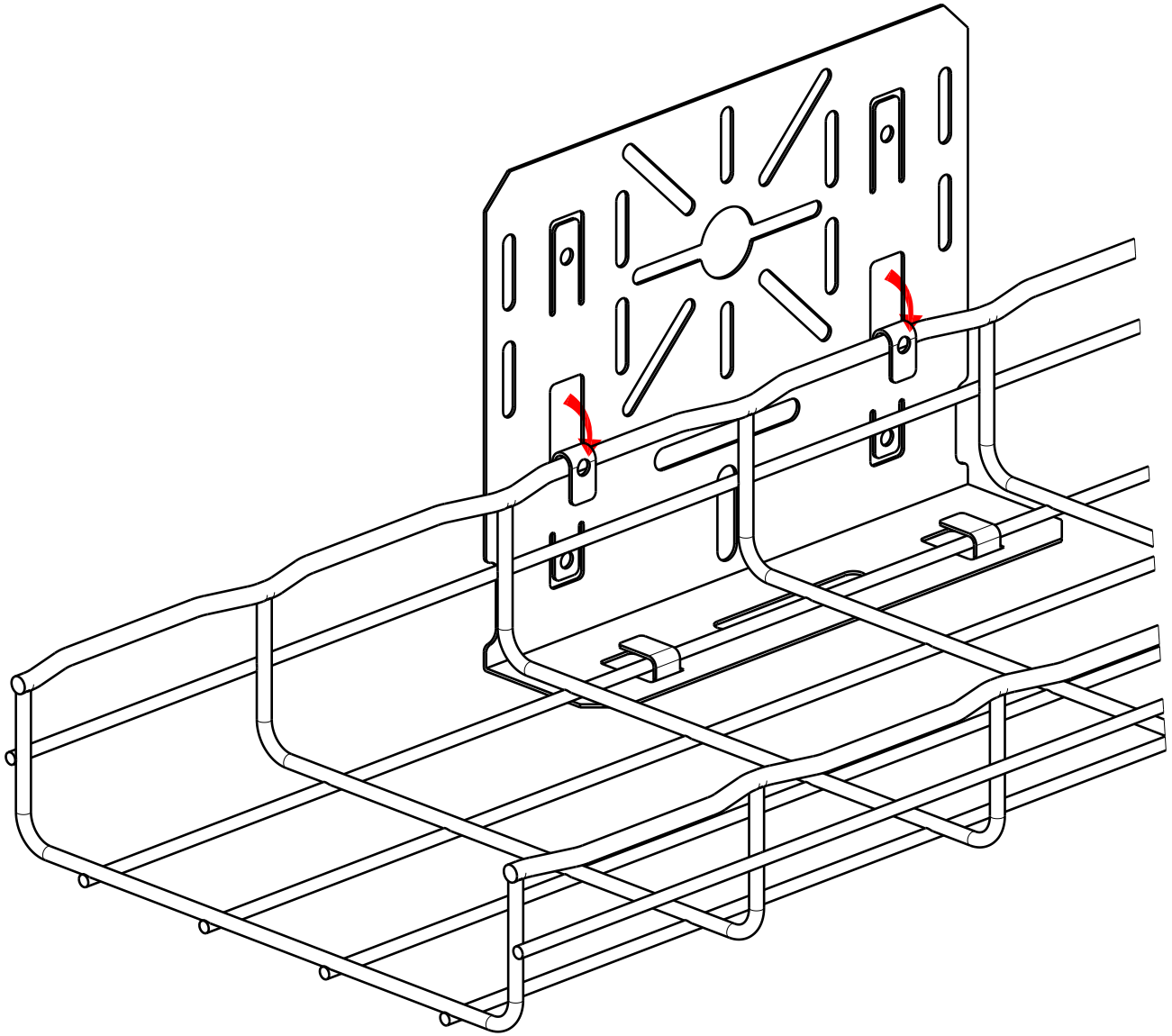

1. GAMME / RANGE

Designation	Code	Poids / Weight (Kg) (lb)		Epaisseur / Thickness (mm) (inch)		Matière / Material	Norme / Standard	Finition / Coating	Classe de résistance contre la corrosion / Resistance class against corrosion
SUBD GS	350588	0.275	0.61	1	0.04	DX51D Z275 MAC	EN 10 346	GS / PG	Class 3 / IEC 61537

2. DIMENSIONS (mm/inch)


**SUPPORT UNIVERSEL SUBD
SUBD UNIVERSAL SUPPORT**

Reference(s) : 350588

3. INSTALLATION


GAMME / RANGE	CF30 -> CF105	HDF 105	G-MINI	CFG	TRI HDF	ZF31 H25 -> 100
<----->	50 -> 600	100 -> 600	50	100 -> 200	100	50 -> 600
	V	V	X	V	V	V
	X	X	X	V	X	X