

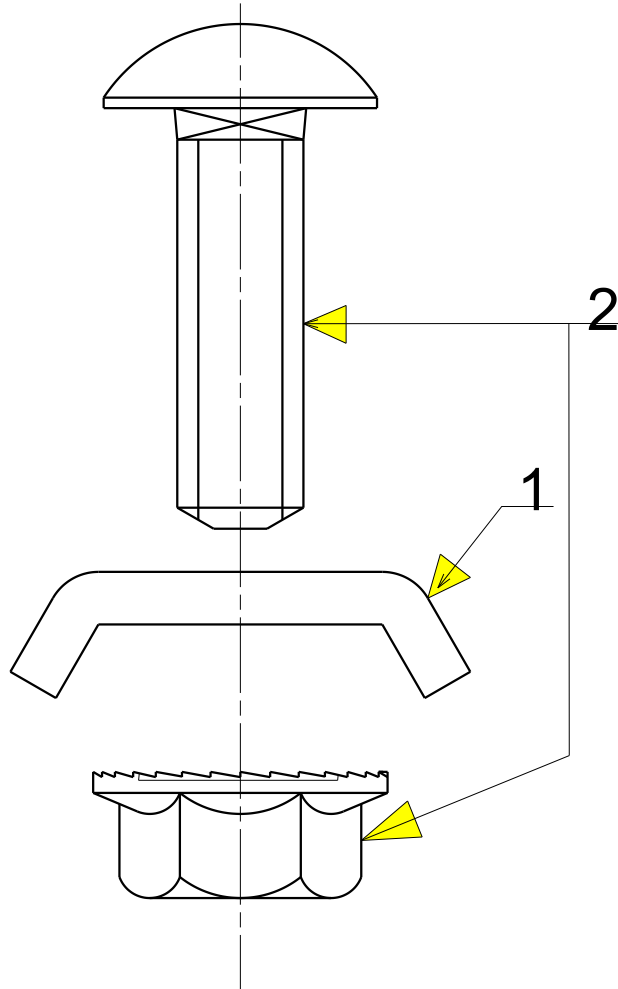
KITFIXTR
KITFIXTR

DC
Geomet

legrand® | CABLE
MANAGEMENT

FT0503-7

11 13



ARTICLE	Composant/ Component	CODE	NBR/Qty	DESIGNATION
KITFIXTR EZ	1	558 013	50	Fixation CE 25
	2	801 017	50	BTRCC 6 x 20

REF	CODE	POIDS (Kg/m)	WEIGHT (lb/ft)
KITFIXTR	558 097	0.400	0.269

NORMES / STANDARD	
MATIERE / MATERIAL S 235 JR	EN 10025
PROTECTION / COATING DACROMET 320 grade A	