

KITFIXVS  
KITFIXVS

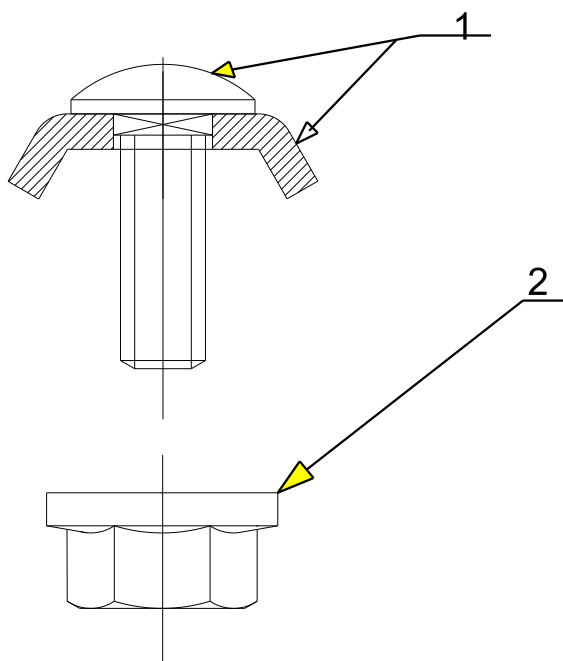
DC  
Geomet



CABLE  
MANAGEMENT

FT0504-7

11 13



ARTICLE	Composant/ Component	CODE	NBR/Qty	DESIGNATION
KITFIXVS	1	558027	50	CE 25 VS
	2	801207	50	EEC 6

NORMES /  
STANDARD

MATIERE / MATIERAL  
S 235 JR

EN 10025

REF	CODE	POIDS (kg)	WEIGHT (lb)
KITFIXVS	558 067	0.500	0.323

PROTECTION / COATING  
DC 320 GRADE A / Geomet