

COUV COUDE 45 P31 CFB45 75 à 400
Cover for bend 45deg P31 W75 to W400

INOX 304L
SS304L

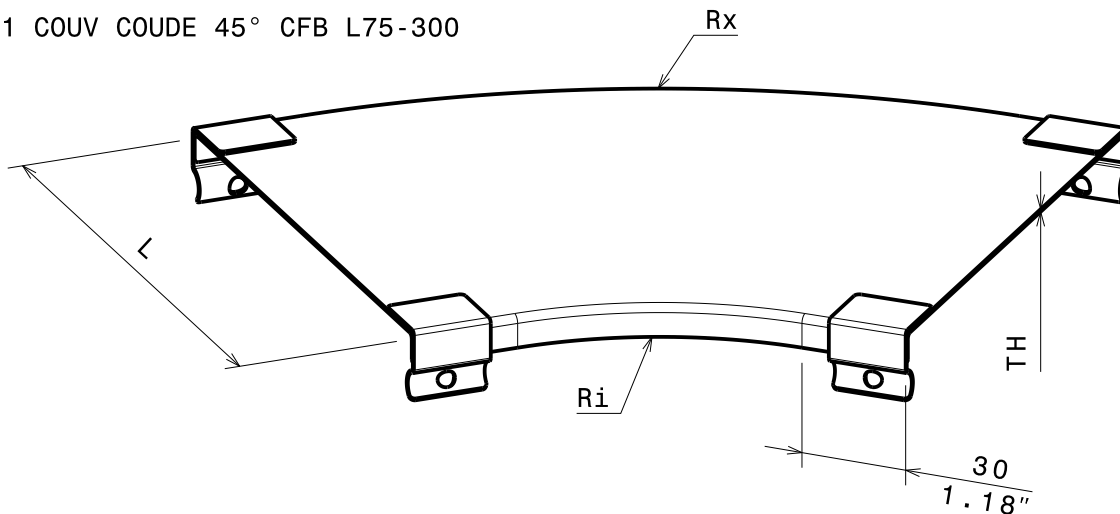


CABLE
MANAGEMENT

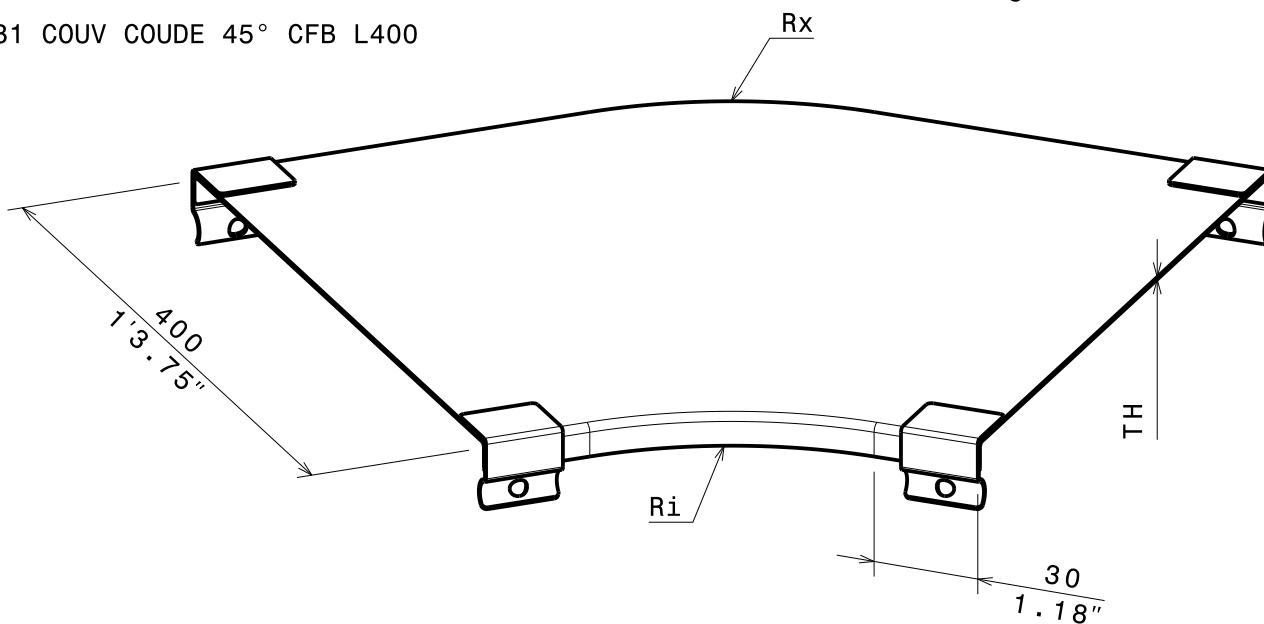
FT0538-8

04-16

P31 COUV COUDE 45° CFB L75-300



P31 COUV COUDE 45° CFB L400



REF	CODE	L / L		EP. / TH.		Ri / Ri		Rx / Rx		WEIGHT KG / lb
		(mm)	(inch)	(mm)	(inch)	(mm)	(inch)	(mm)	(inch)	
P31 CFB45 75	350 504	75	2.92"	0.8	0.032"	100	3.94"	175	6.89"	0.060/0.040"
P31 CFB45 100	350 505	100	3.94"	0.8	0.032"	100	3.94"	200	7.87"	0.085/0.057"
P31 CFB45 150	350 506	150	5.91"	0.8	0.032"	100	3.94"	250	9.84"	0.145/0.097"
P31 CFB45 200	350 507	200	7.87"	0.8	0.032"	100	3.94"	300	11.81"	0.215/0.144"
P31 CFB45 300	350 508	300	11.81"	1	0.039"	100	3.94"	400	15.74"	0.395/0.265"
P31 CFB45 400	350 509	400	15.75"	1	0.039"	150	5.91"	150	5.91"	0.730/0.490"

Material	Standard
X2 Cr Ni 18-9	EN 10 088-2