

DALLE P31 TP25 50 et 75
Tray P31 perf 25x50 and 75

GC
 HDG

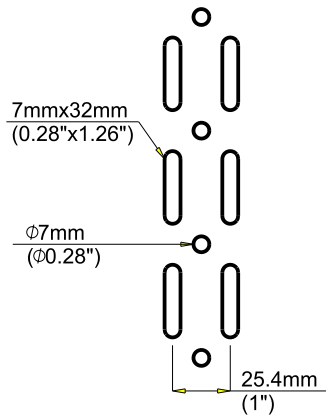


CABLE
 MANAGEMENT

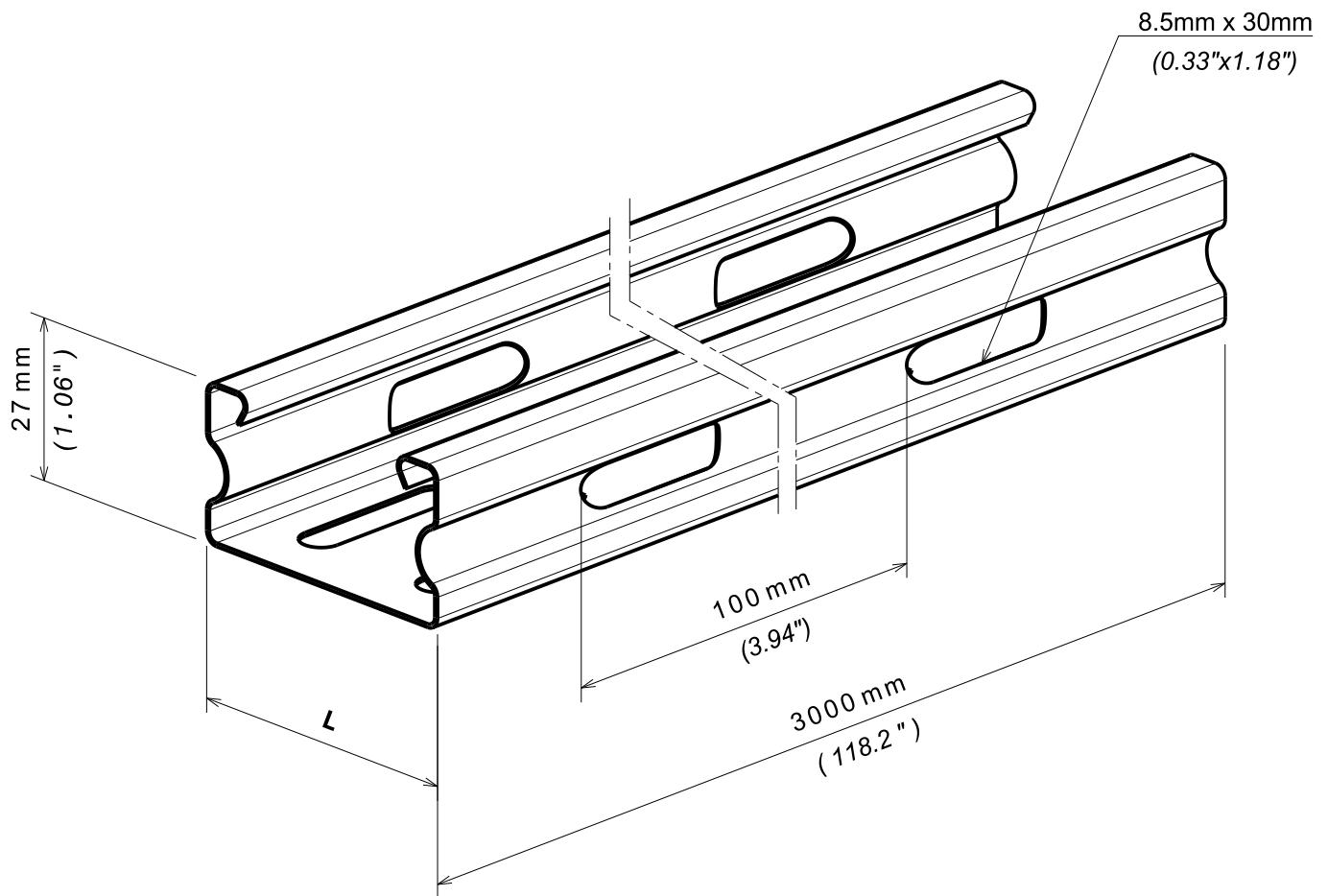
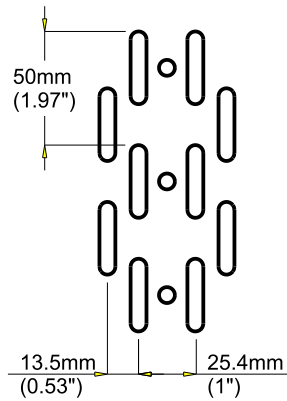
FT0555-3

01 13

P31 TP 25x50



P31 TP 25x75



REF	CODE	POIDS /WEIGHT		L / L		EP. / TH.	
		(Kg/m)	(lb/ft)	(mm)	(inch)	(mm)	(inch)
P31 TP 25x50	342 044	0.605	0.406	50	(1.969")	0.6	(0.024")
P31 TP 25x75	342 045	0.704	0.473	77	(3.031")	0.6	(0.024")

Material	Standard
DC01	EN 10130
Finition Coating	Standard
GC / HDG	Class 6 according to CEI 61537