

DALLE P31 TP25 400 à 500
Tray P31 perf 25x400 to 500

GC
HDG

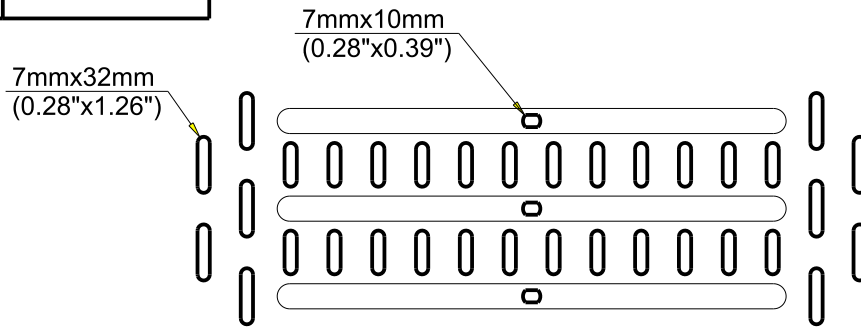


CABLE
MANAGEMENT

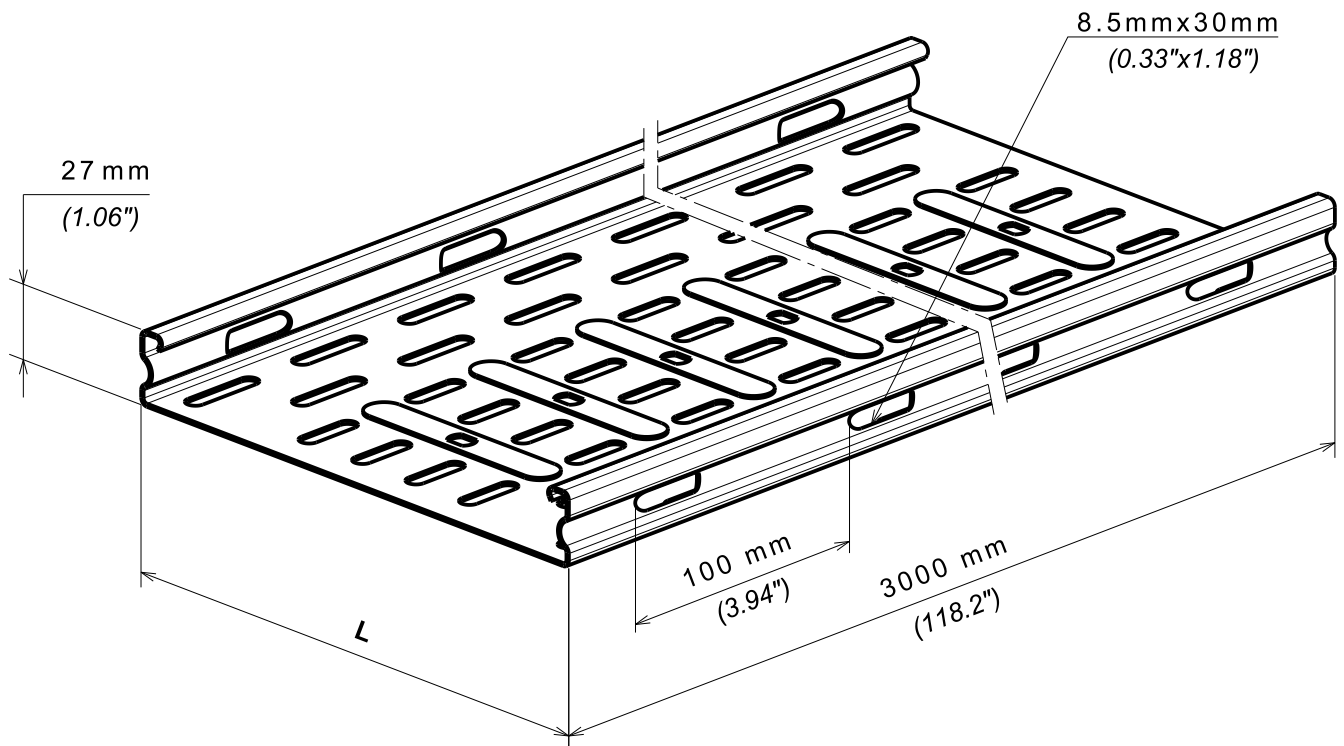
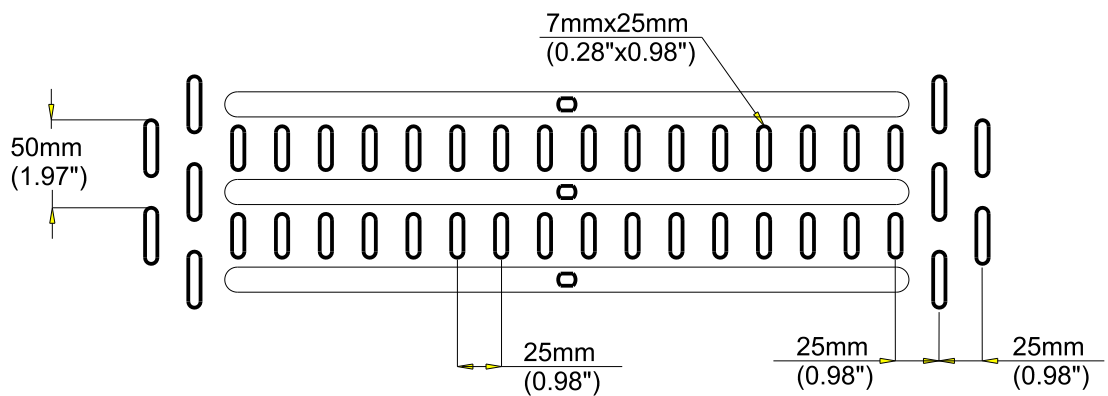
FT0558-3

01 13

P31 TP 25x400



P31 TP 25x500



REF	CODE	POIDS /WEIGHT		L / L		EP. / TH.	
		(Kg/m)	(lb/ft)	(mm)	(inch)	(mm)	(inch)
P31 TP 25x400	342 050	4.153	2.791	400	(15.748")	1	(0.039")
P31 TP 25x500	342 051	5.015	3.370	500	(19.685")	1.15	(0.045")

Material	Standard
DC01	EN 10130
Finition Coating	Standard
GC / HDG	Class 6 according to CEI 61537