

DALLE P31 TP75 150  
Tray P31 Perf 75x150

GC  
HDG

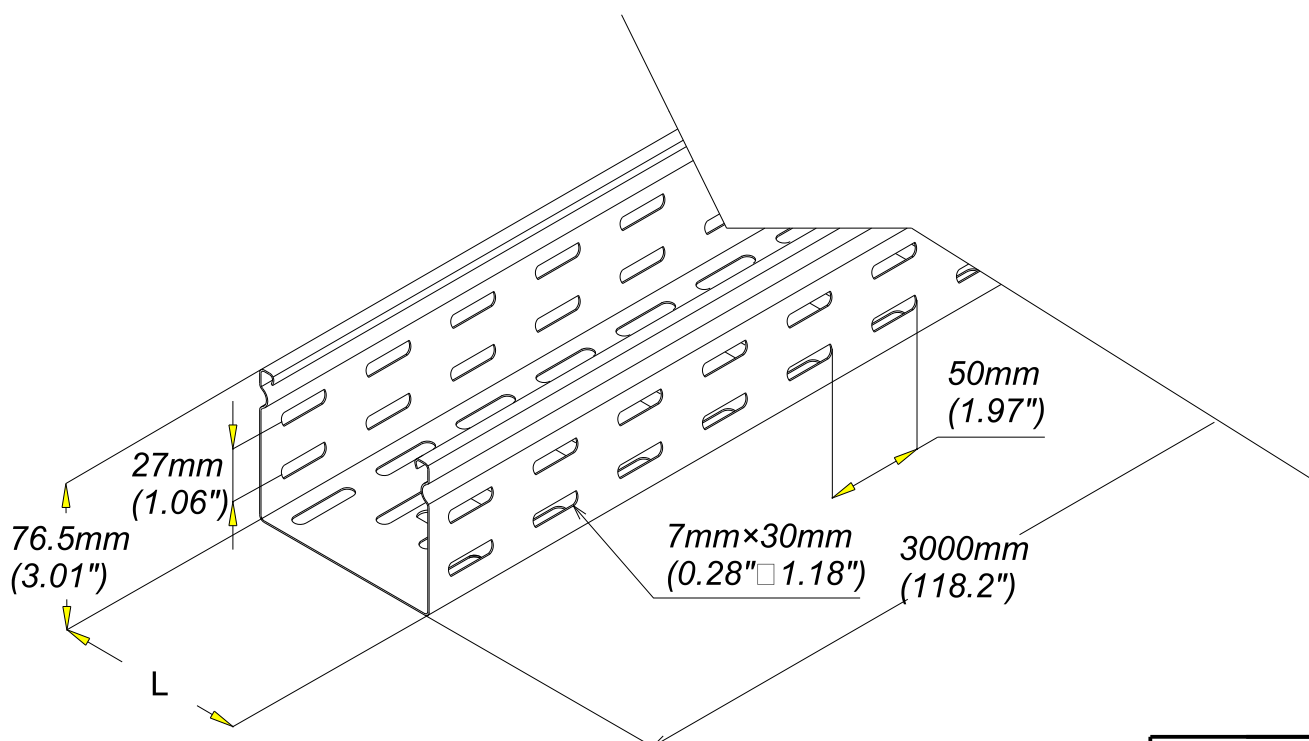
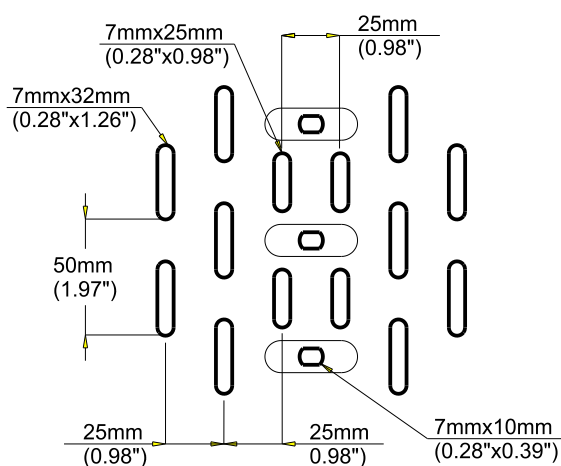


CABLE  
MANAGEMENT

FT0560-3

11 13

P31 TP 75x150



NORMES/STANDARD

REF	CODE	POIDS /WEIGHT (Kg/m) (lb/ft)		L / L (mm) (inch)		EP. / TH. (mm) (inch)		MATIERE / MATIERAL S 235 JR	NORMES/STANDARD
P31 TP 75x150	342 062	1.690	1.120	150	(5.906")	0.7	(0.028")	PROTECTION / COATING GC / HDG	EN 10 025  EN ISO 1461