

DALLE P31 TP75 200  
Tray P31 perf 75x200

GC  
HDG

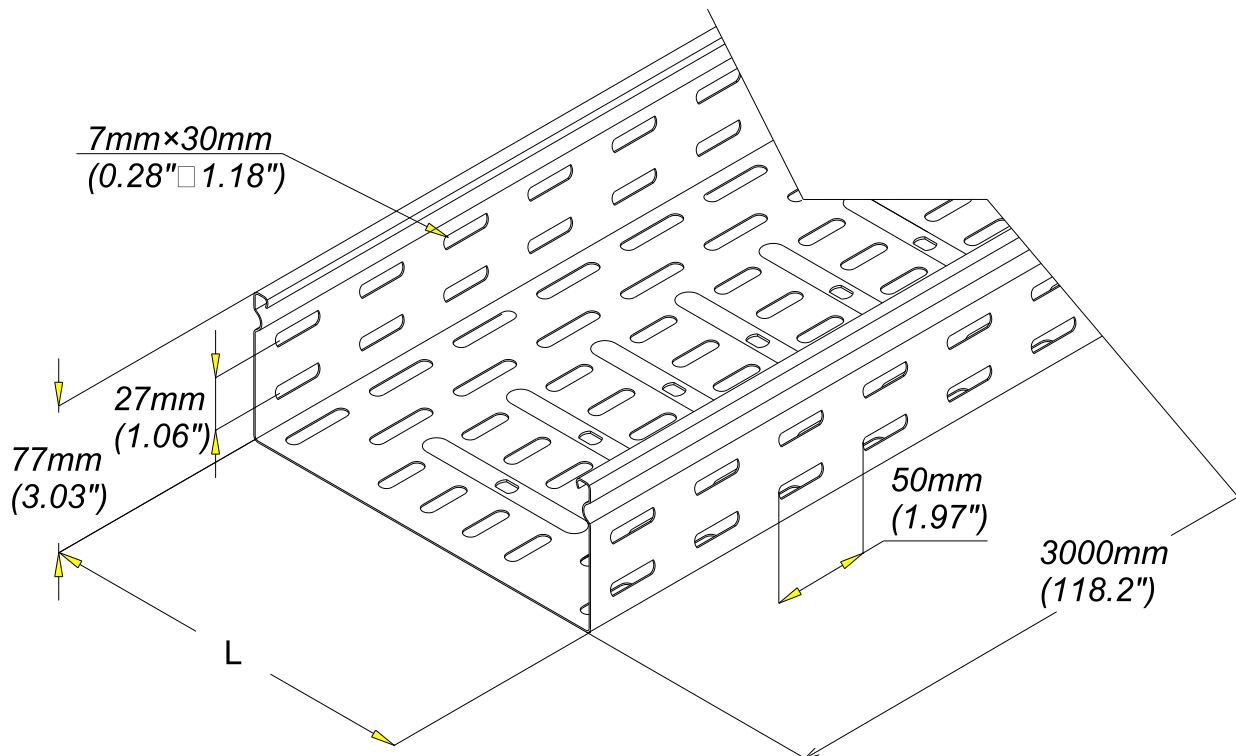
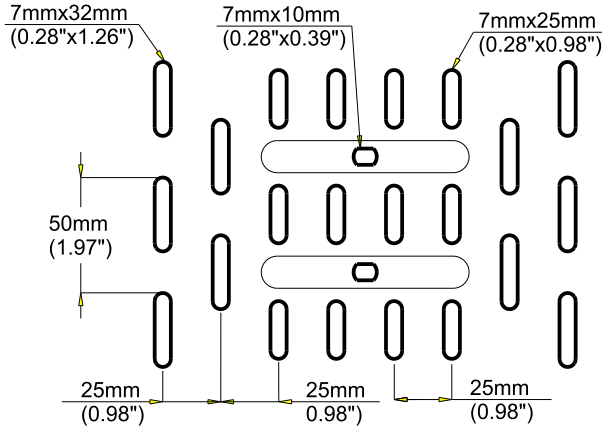


CABLE  
MANAGEMENT

FT0561-3

11 13

P31 TP 75x200



NORMES/STANDARD

REF	CODE	POIDS /WEIGHT (Kg/m) (lb/ft)		L / L (mm) (inch)		EP. / TH. (mm) (inch)		MATIERE / MATERIA S 235 JR	NORMES/STANDARD
P31 TP 75x200	342 063	2.760	1.830	200	(7.874")	0.8	(0.032")	PROTECTION / COATING GC / HDG	EN 10 025 EN ISO 1461