

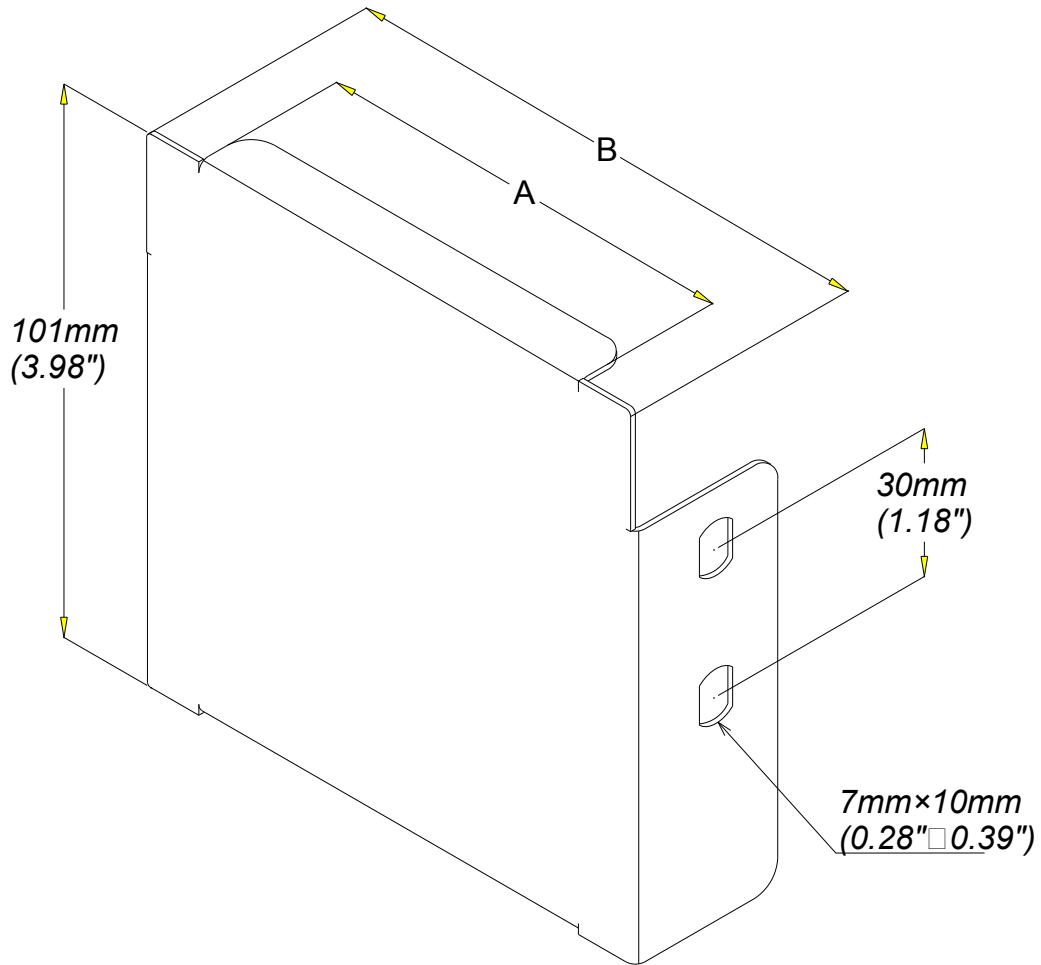
FERMT GOUL P31 SE H100 100 à 200  
 END CAP P31 100x100 to 200

EPO  
 RAL

**legrand**® | CABLE  
 MANAGEMENT

FT0584-1

07 17



REF.	CODE	POIDS/WEIGHT		A		B		EP./TH.	
		kg	lb	mm	inch.	mm	inch.	mm	inch.
P31 SE 100x100	345 659	0.135	0.297	102	4.02"	80	3.15"	1	0.039"
P31 SE 100x150	345 661	0.190	0.418	152	5.98"	130	5.12"		

Material	Standard
DX 51 D Z 200 MAC	EN 10 346