

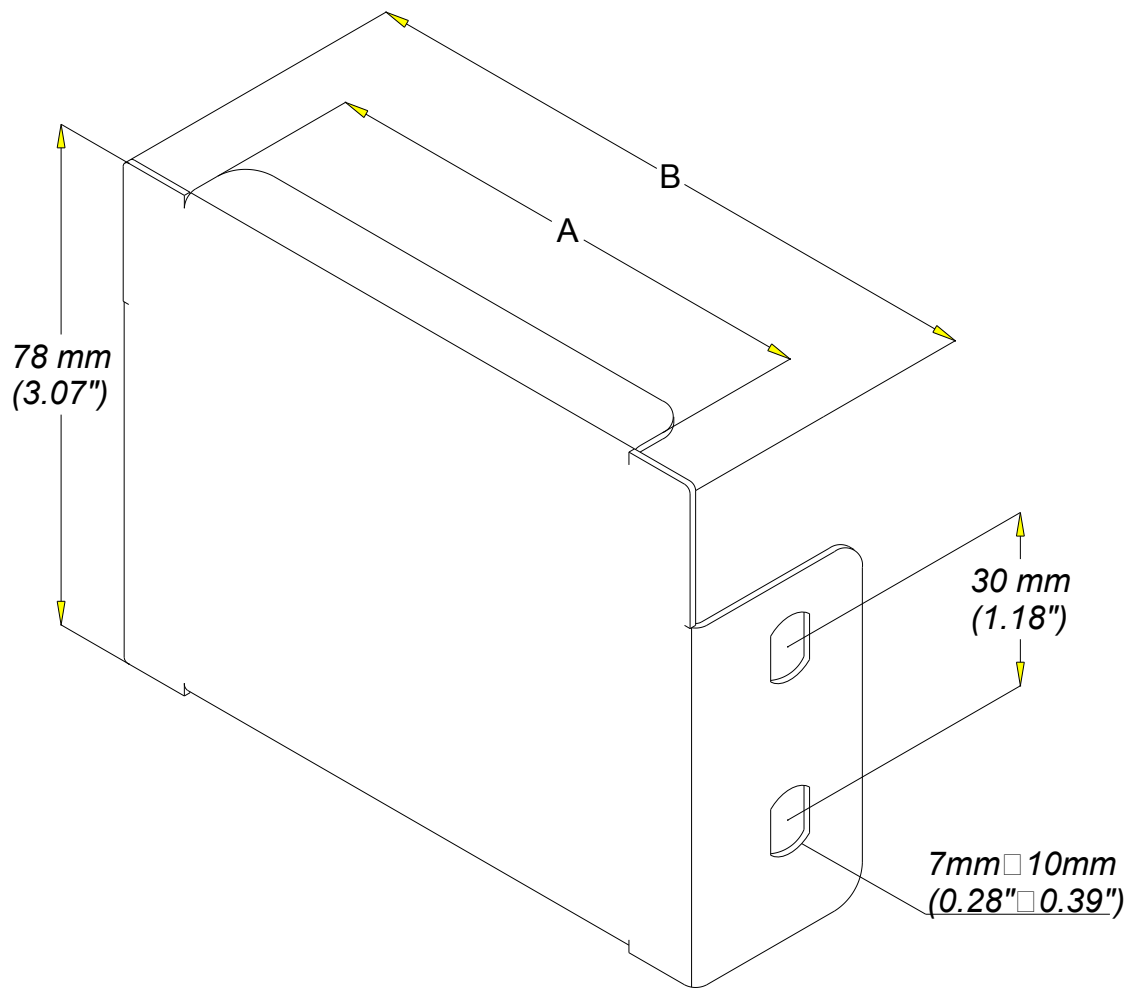
FERMT GOUL P31 SE H75 75 à 300  
 END CAP P31 75x75 to 300

EPO  
 RAL

**legrand** | CABLE  
 MANAGEMENT

FT0585-1

07 17



Material	Standard
DX 51 D Z 200 MAC	EN 10 346

REF.	CODE	POIDS/WEIGHT		A		B		EP./TH.	
		kg	lb	mm	inch.	mm	inch.	mm	inch.
P31 SE 75x75	345 593	0.085	0.187	77	3.03"	55	2.16"	1	0.039"
P31 SE 75x100	345 594	0.100	0.220	102	4.02"	80	3.15"		
P31 SE 75x150	345 595	0.135	0.297	152	5.98"	130	5.12"		
P31 SE 75x200	345 596	0.175	0.385	202	7.95"	180	7.09"		
P31 SE 75x300	345 597	0.250	0.550	302	11.89"	280	11.02"		