

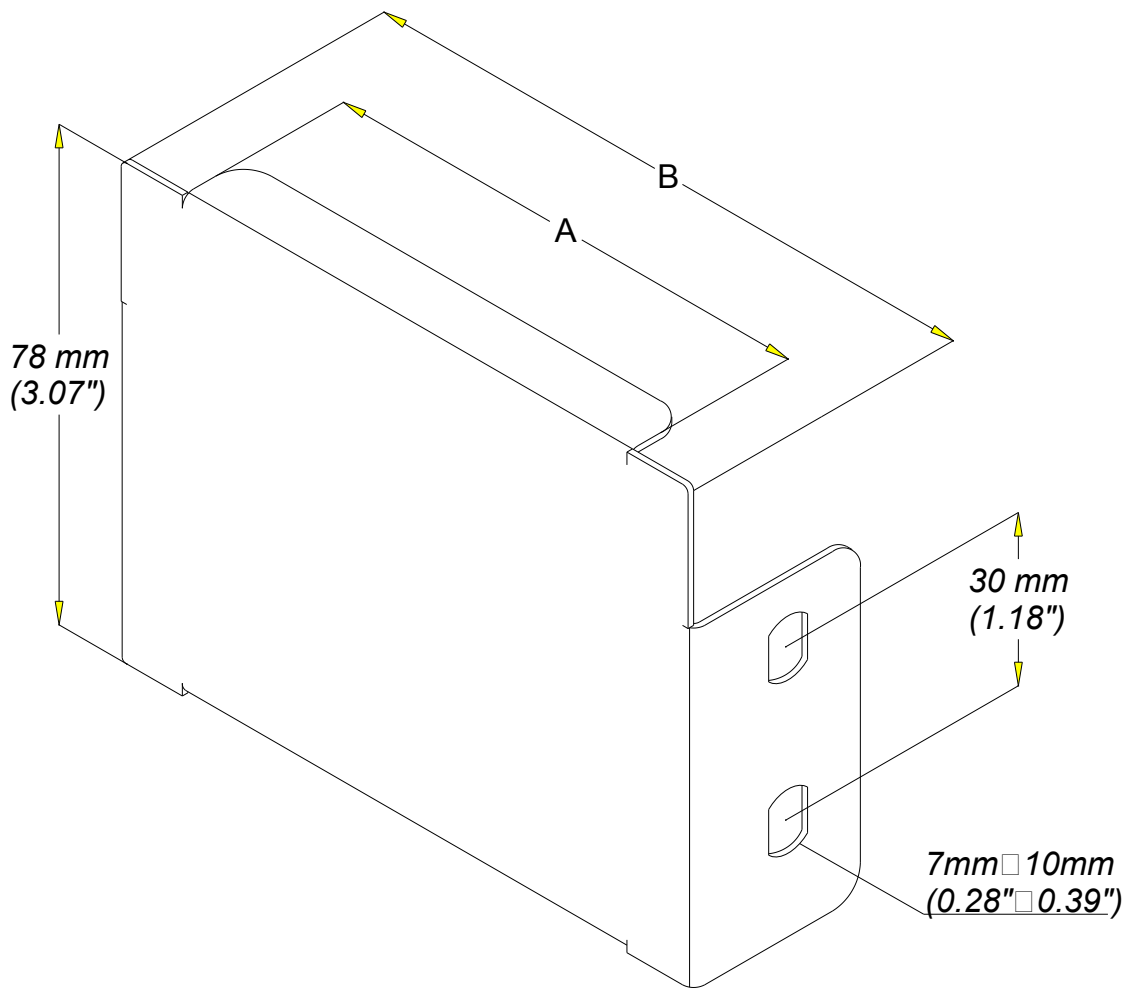
FERMT GOUL P31 SE H75 75 à 600  
 END CAP P31 75x75 to 600

GS  
 PG

**legrand** | CABLE  
 MANAGEMENT

FT0585-1

07 17



<b>Material</b>	<b>Standard</b>
DX 51 D Z 200 MAC	EN 10 346

REF.	CODE	POIDS/WEIGHT		A		B		EP./TH.	
		kg	lb	mm	inch.	mm	inch.	mm	inch.
P31 SE 75x75	341 593	0.085	0.187	77	3.03"	55	2.16"	1	0.039"
P31 SE 75x100	341 594	0.100	0.220	102	4.02"	80	3.15"		
P31 SE 75x150	341 595	0.135	0.297	152	5.98"	130	5.12"		
P31 SE 75x200	341 596	0.175	0.385	202	7.95"	180	7.09"		
P31 SE 75x300	341 597	0.250	0.550	302	11.89"	280	11.02"		
P31 SE 75x400	341 598	0.325	0.715	402	15.83"	380	14.96"		
P31 SE 75x500	341 599	0.430	0.946	502	19.76"	480	18.90"		
P31 SE 75x600	341 600	0.567	1.248	602	23.70"	580	22.83"		