

FERMT GOUL P31 SE H50 50 à 600
END CAP P31 50x50 to 600

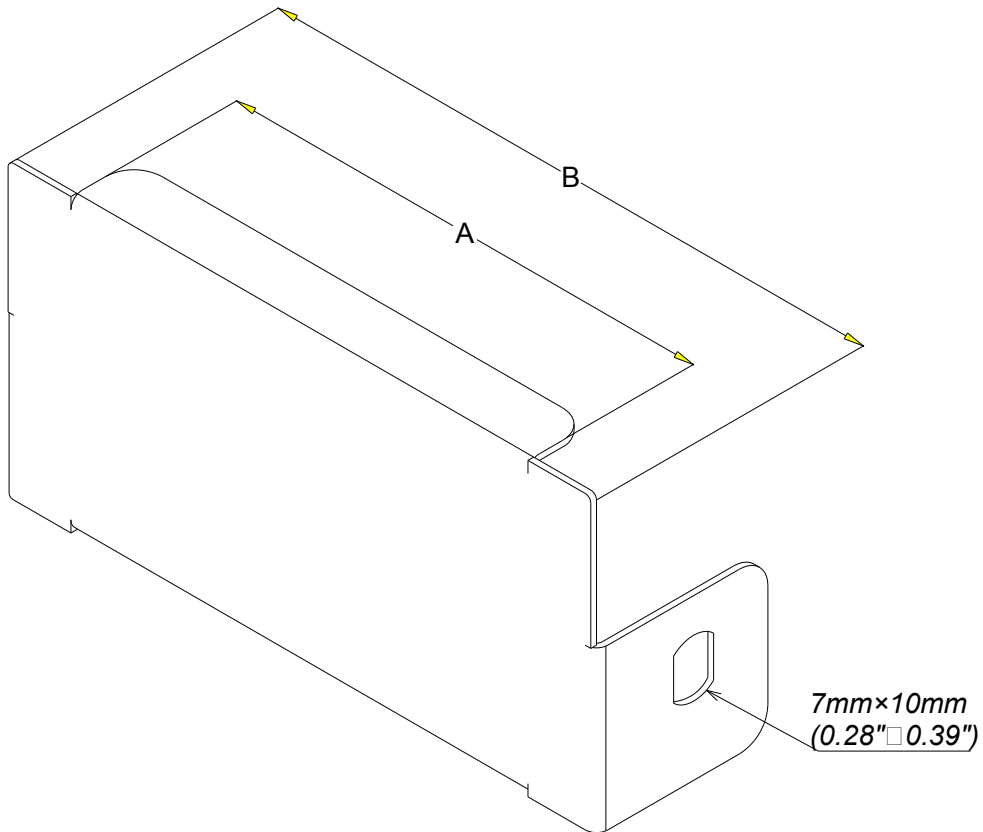
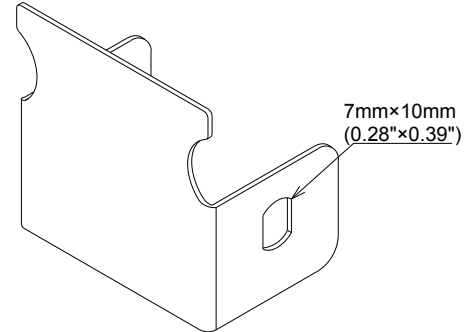
GC
HDG

legrand | CABLE
MANAGEMENT

FT0586-4

07 17

DÉTAIL FGBSM2-50



REF.	CODE	POIDS/WEIGHT		A		B		EP./TH.		NORMES/STANDARD
		kg	lb	mm	inch.	mm	inch.	mm	inch.	
P31 SE 50x50	343 537	0.030	0.066	-	-	-	-	1	0.039"	EN 10 025
P31 SE 50x75	343 003	0.055	0.121	55	2.16"	77	3.03"			
P31 SE 50x100	343 538	0.070	0.154	80	3.15"	102	4.02"			
P31 SE 50x150	343 539	0.095	0.209	130	5.12"	152	5.98"			
P31 SE 50x200	343 540	0.130	0.286	180	7.09"	202	7.95"			
P31 SE 50x300	343 541	0.190	0.418	280	11.02"	302	11.89"			
P31 SE 50x400	343 542	0.250	0.550	380	14.96"	402	15.83"			
P31 SE 50x500	343 543	0.310	0.682	480	18.90"	502	19.76"			
P31 SE 50x600	343 544	0.365	0.804	580	22.83"	602	23.70"	EN ISO 1461		
										MATIERE / MATERIAL S 235 JR
										PROTECTION / COATING GC / HDG