

FERMT GOUL P31 SE H50 50 à 600
END CAP P31 50x50 to 600

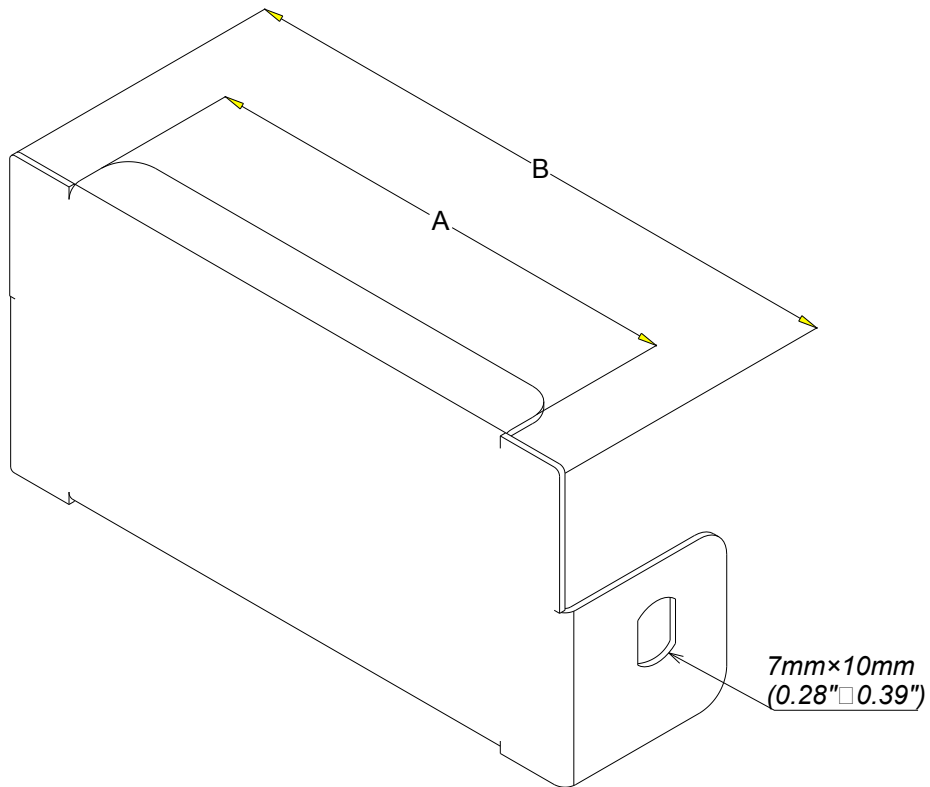
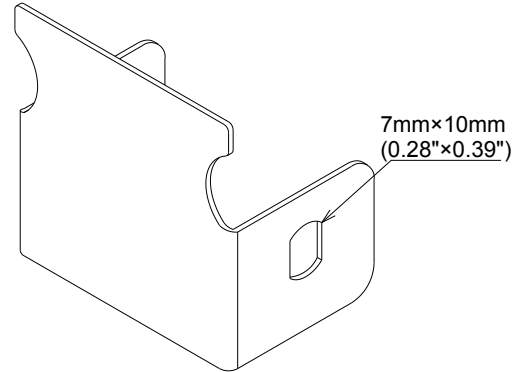
GS
PG

legrand | CABLE
MANAGEMENT

FT0586-1

07 17

DÉTAIL FGBSM2-50



REF.	CODE	POIDS/WEIGHT		A		B		EP./TH.	
		kg	lb	mm	inch.	mm	inch.	mm	inch.
P31 SE 50x50	341 537	0.030	0.066	-	-	-	-	1	0.039"
P31 SE 50x75	341 003	0.055	0.121	55	2.16"	77	3.03"		
P31 SE 50x100	341 538	0.070	0.154	80	3.15"	102	4.02"		
P31 SE 50x150	341 539	0.095	0.209	130	5.12"	152	5.98"		
P31 SE 50x200	341 540	0.130	0.286	180	7.09"	202	7.95"		
P31 SE 50x300	341 541	0.190	0.418	280	11.02"	302	11.89"		
P31 SE 50x400	341 542	0.250	0.550	380	14.96"	402	15.83"		
P31 SE 50x500	341 543	0.310	0.682	480	18.90"	502	19.76"		
P31 SE 50x600	341 544	0.365	0.804	580	22.83"	602	23.70"		

Material	Standard
DX 51 D Z 200 MAC	EN 10 346