

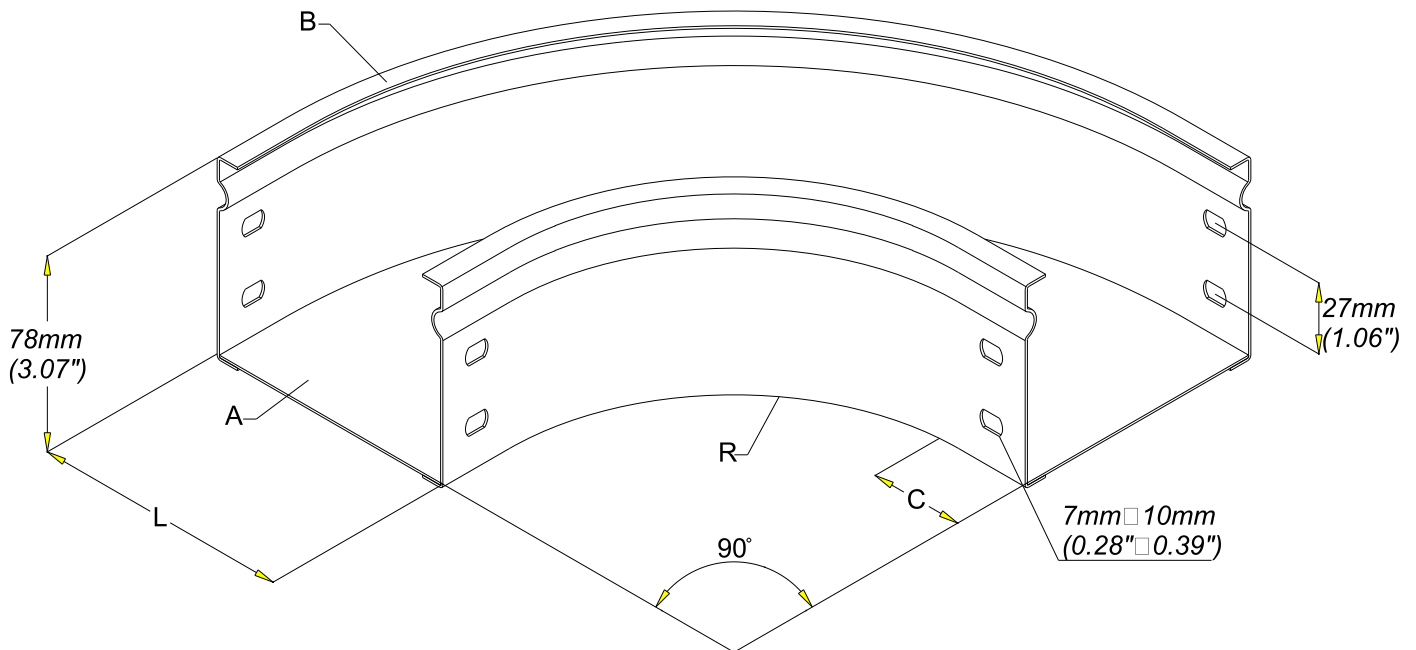
COUDE 90 P31 FB H75 75 à 500
Flat bend P31 75x75 to 500

GC
HDG

 CABLE
MANAGEMENT

FT0596-3

11 13



REF	CODE	L /L (mm) (inch)	A /A (mm) (inch)	B /B (mm) (inch)	C /C (mm) (inch)	R /R (mm) (inch)
P31 FB 75x75	342 922	75 (2.92")	0.8 (0.032")	1 (0.039")	30 (1.18")	100 (3.94")
P31 FB 75x100	342 923	100 (3.94")	0.8 (0.032")	1 (0.039")	30 (1.18")	100 (3.94")
P31 FB 75x150	342 924	150 (5.91")	0.8 (0.032")	1 (0.039")	30 (1.18")	100 (3.94")
P31 FB 75x200	342 925	200 (5.91")	0.8 (0.032")	1 (0.039")	30 (1.18")	100 (3.94")
P31 FB 75x300	342 926	300 (7.87")	1 (0.039")	1 (0.039")	30 (1.18")	100 (3.94")
P31 FB 75x400	342 927	400 (11.81")	1 (0.039")	1 (0.039")	50 (1.97")	150 (5.91")
P31 FB 75x500	342 928	500 (19.69")	1 (0.039")	1 (0.039")	50 (1.97")	150 (5.91")

NORMES/STANDARD

MATIERE / MATERIA
S 235 JR

EN 10 025-2

PROTECTION / COATING
GC / HDG

Class 6 according
to CEI 61537