

COUDE 45° P31 FB H75 75 à 600
Flat bend 45° P31 75x75 to 600

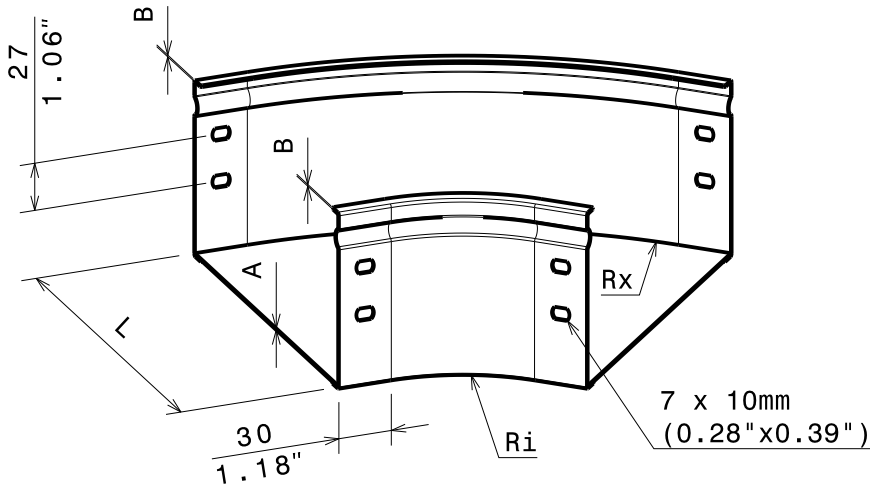
GC
HDG

legrand CABLE
MANAGEMENT

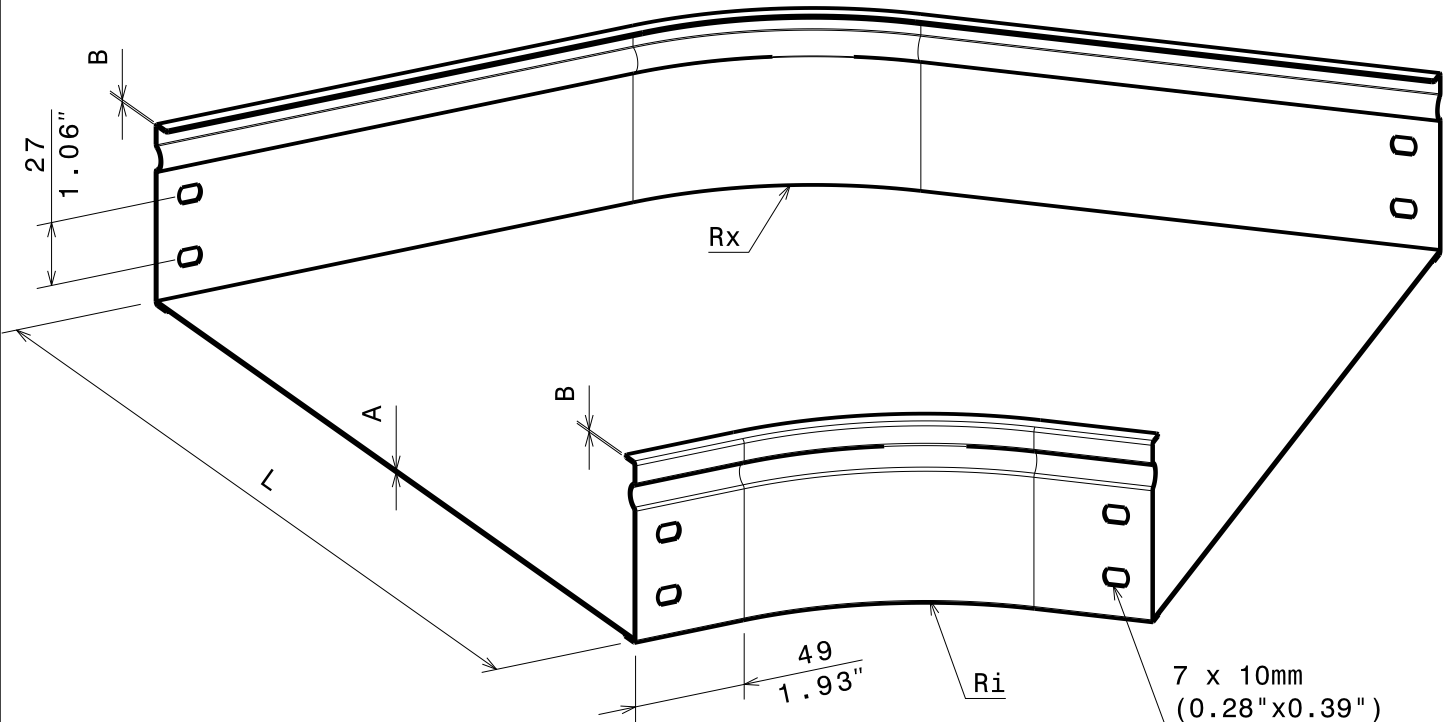
FT0597-3

10 16

P31 Flat Bend 45° H75 L75-300 mm



P31 Flat Bend 45° H75 L400-500 mm



REF	CODE	L / L	A / A	B / B	Ri / Ri	Rx / Rx
		(mm) (inch)	(mm) (inch)	(mm) (inch)	(mm) (inch)	(mm) (inch)
P31 FB45 75x75	342 952	75 (2.92")	0.8 (0.032")	0.95 (0.037")	100 (3.94")	175 (6.89")
P31 FB45 75x100	342 953	100 (3.94")	0.8 (0.032")	0.95 (0.037")	100 (3.94")	200 (7.87")
P31 FB45 75x150	342 954	150 (5.91")	0.8 (0.032")	0.95 (0.037")	100 (3.94")	250 (9.84")
P31 FB45 75x200	342 955	200 (7.87")	0.8 (0.032")	0.95 (0.037")	100 (3.94")	300 (11.81")
P31 FB45 75x300	342 956	300 (11.81")	1 (0.039")	0.95 (0.037")	100 (3.94")	400 (15.74")
P31 FB45 75x400	342 957	400 (15.75")	1 (0.039")	0.95 (0.037")	150 (5.91")	150 (5.91")
P31 FB45 75x500	342 958	500 (19.69")	1 (0.039")	0.95 (0.037")	150 (5.91")	150 (5.91")
P31 FB45 75x600	342 959	600 (23.62")	1 (0.039")	0.95 (0.037")	150 (5.91")	150 (5.91")

Material	Standard	Finishes	Standard
S 235 JR	EN 10 025-2	HDG	Class 6 according to CEI 61537

Propriété exclusive de LCM, ne peut être ni copié, ni transmis à des tiers sans autorisation écrite.

Exclusive property of LEGRAND shouldn't be reproduced or transmitted to any people without written authorization