

COUDE 45° P31 FB H75 75 à 600  
Flat bend 45° P31 75x75 to 600

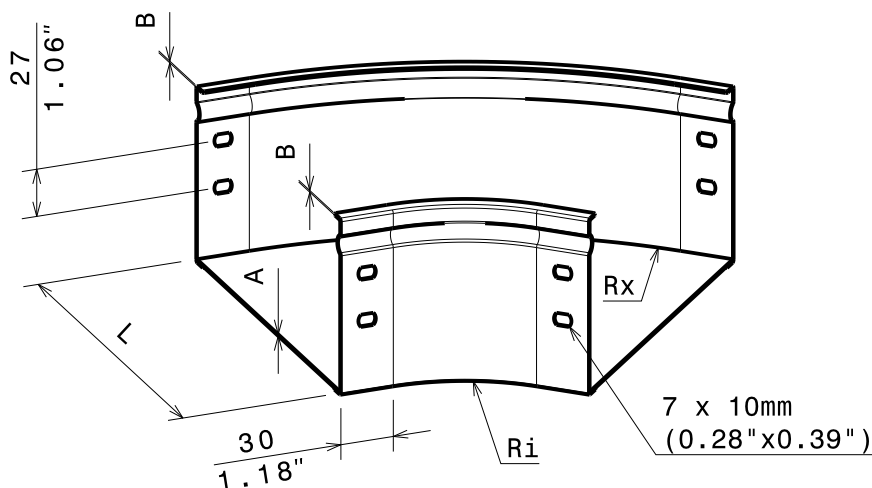
GS  
PG

**legrand** | CABLE  
MANAGEMENT

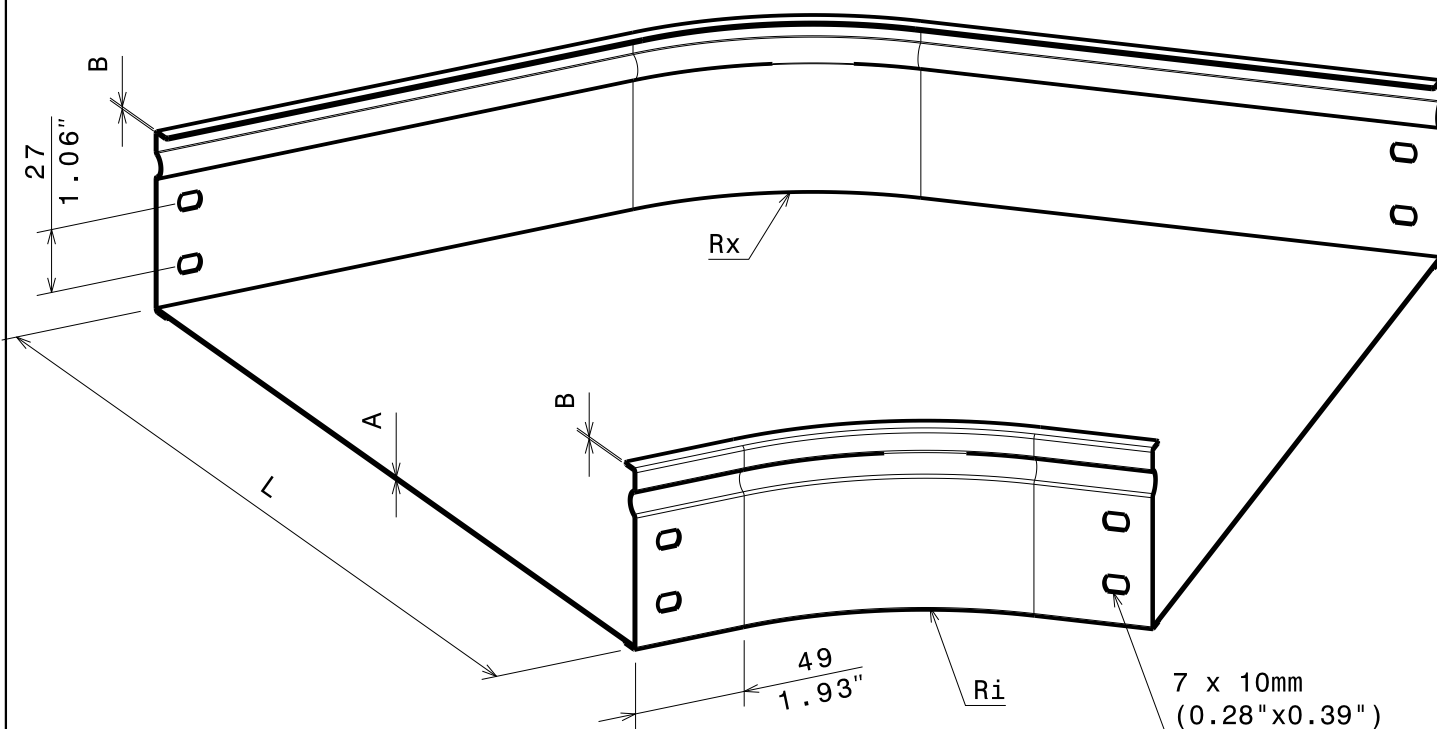
FT0597-0

10 16

P31 Flat Bend 45° H75 L75-300 mm



P31 Flat Bend 45° H75 L400-500 mm



REF	CODE	L /L (mm) (inch)	A /A (mm) (inch)	B /B (mm) (inch)	Ri /Ri (mm) (inch)	Rx /Rx (mm) (inch)
P31 FB45 75x75	340 952	75 (2.92")	0.8 (0.032")	0.95 (0.037")	100 (3.94")	175 (6.89")
P31 FB45 75x100	340 953	100 (3.94")	0.8 (0.032")	0.95 (0.037")	100 (3.94")	200 (7.87")
P31 FB45 75x150	340 954	150 (5.91")	0.8 (0.032")	0.95 (0.037")	100 (3.94")	250 (9.84")
P31 FB45 75x200	340 955	200 (7.87")	0.8 (0.032")	0.95 (0.037")	100 (3.94")	300 (11.81")
P31 FB45 75x300	340 956	300 (11.81")	1 (0.039")	0.95 (0.037")	100 (3.94")	400 (15.74")
P31 FB45 75x400	340 957	400 (15.75")	1 (0.039")	0.95 (0.037")	150 (5.91")	150 (5.91")
P31 FB45 75x500	340 958	500 (19.69")	1 (0.039")	0.95 (0.037")	150 (5.91")	150 (5.91")
P31 FB45 75x600	340 959	600 (23.62")	1 (0.039")	0.95 (0.037")	150 (5.91")	150 (5.91")

Material	Standard
DX 51 D Z 200 MAC	EN 10 346