

TE P31 T H75 75 à 600  
T- piece P31 75x75 to 600

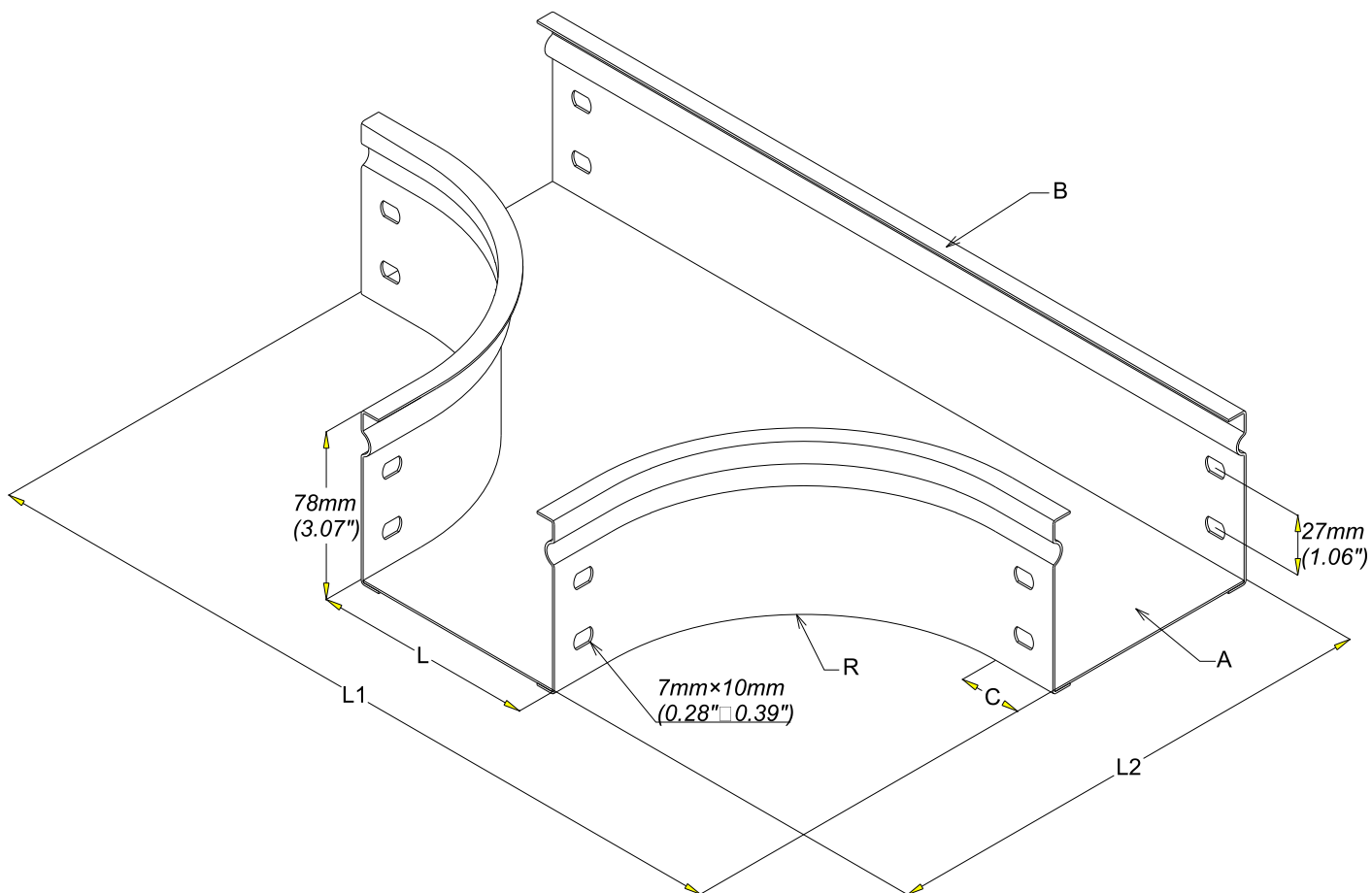
GC  
HDG



CABLE  
MANAGEMENT

FT0598-3

10 16



REF	CODE	L / L	A / A	B / B	C / C	R / R	L1 / L1	L2 / L2
		(mm) / (inch)	(mm) / (inch)	(mm) / (inch)	(mm) / (inch)	(mm) / (inch)	(mm) / (inch)	(mm) / (inch)
P31 T 75x75	343 111	75 (2.92")	0.8 (0.032")	1 (0.039")	30 (1.18")	100 (3.94")	333 (13.11")	204 (8.03")
P31 T 75x100	343 112	100 (3.94")	0.8 (0.032")	1 (0.039")	30 (1.18")	100 (3.94")	358 (14.11")	229 (9.02")
P31 T 75x150	343 113	150 (5.91")	0.8 (0.032")	1 (0.039")	30 (1.18")	100 (3.94")	408 (16.08")	279 (10.99")
P31 T 75x200	343 114	200 (7.87")	0.8 (0.032")	1 (0.039")	30 (1.18")	100 (3.94")	458 (18.05")	329 (12.96")
P31 T 75x300	343 115	300 (11.81")	1 (0.039")	1 (0.039")	30 (1.18")	100 (3.94")	558 (21.99")	429 (16.90")
P31 T 75x400	343 116	400 (15.75")	1 (0.039")	1 (0.039")	50 (1.97")	150 (5.91")	798 (31.44")	599 (23.60")
P31 T 75x500	343 117	500 (19.69")	1 (0.039")	1 (0.039")	50 (1.97")	150 (5.91")	898 (35.38")	699 (27.54")
P31 T 75x600	343 118	600 (23.62")	1 (0.039")	1 (0.039")	50 (1.97")	150 (5.91")	998 (39.29")	799 (31.46")

Material	Standard	Finishes	Standard
S 235 JR	EN 10 025-2	HDG	Class 6 according to CEI 61537

Propriété exclusive de LEGRAND, ne peut être ni copié, ni transmis à des tiers sans autorisation écrite.  
Exclusive property of LEGRAND shouldn't be reproduced or transmitted to any people without written authorization