

CROIX P31 X H75 75 à 400
Cross P31 75x75 to 400

INOX 304L
SS304L

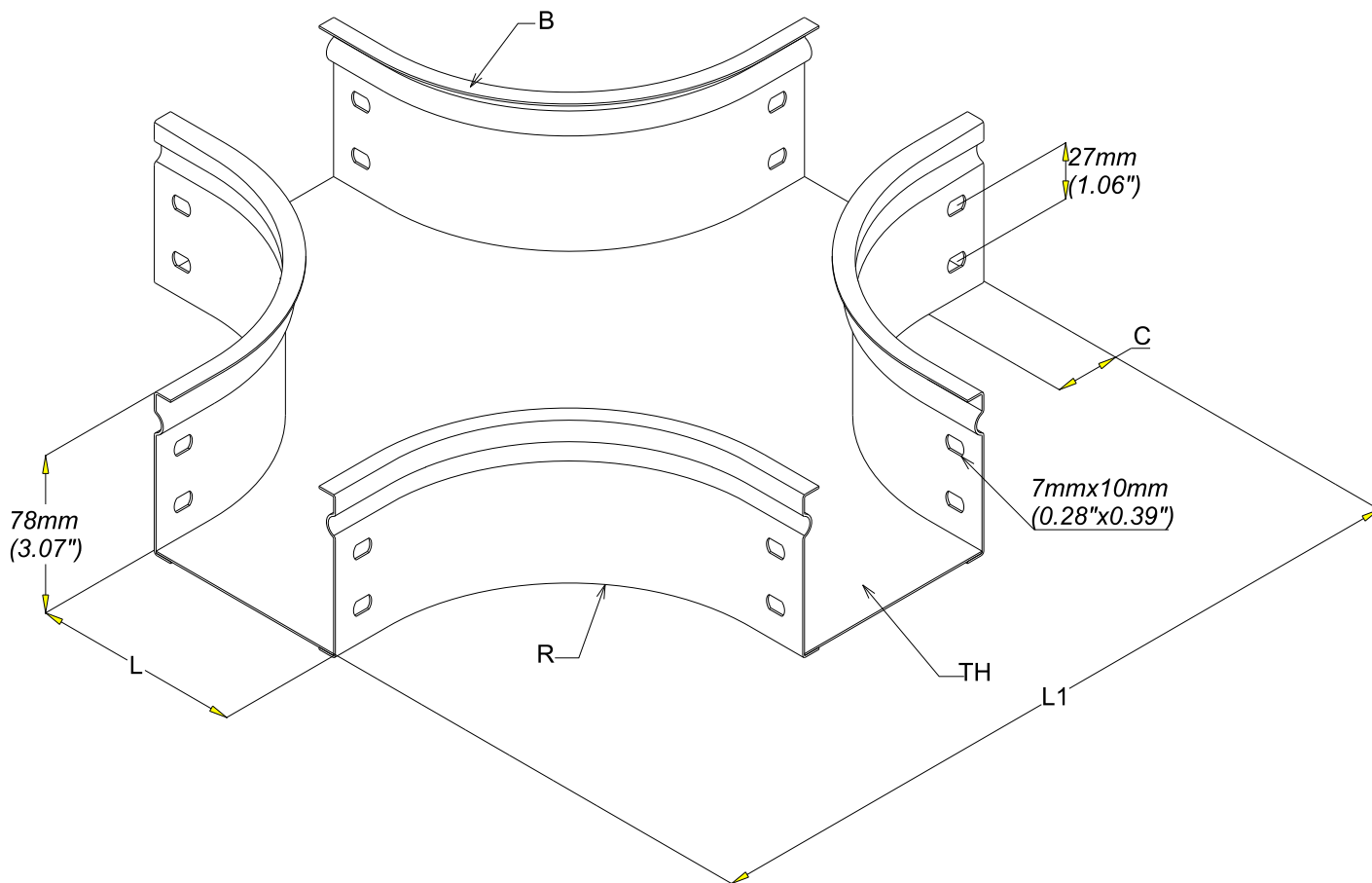


CABLE
MANAGEMENT

FT0599-8

04-16

P31 CROIX H75 L75-400



REF	CODE	L / L (mm) / (inch)	EP / TH (mm) / (inch)	L1 / L1 (mm) / (inch)	C / C (mm) / (inch)	R / R (mm) / (inch)
P31 X 75x75	346 450	75 / 2.92"	0.8 / 0.032"	333 / 13.11"	30 / 1.18"	100 / 3.94"
P31 X 75x100	346 451	100 / 3.94"	0.8 / 0.032"	358 / 14.11"	30 / 1.18"	100 / 3.94"
P31 X 75x150	346 452	150 / 5.91"	0.8 / 0.032"	408 / 16.08"	30 / 1.18"	100 / 3.94"
P31 X 75x200	346 453	200 / 7.87"	0.8 / 0.032"	458 / 18.05"	30 / 1.18"	100 / 3.94"
P31 X 75x300	346 454	300 / 11.81"	1 / 0.039"	558 / 21.99"	30 / 1.18"	100 / 3.94"
P31 X 75x400	346 455	400 / 15.75"	1 / 0.039"	798 / 31.44"	50 / 1.97"	150 / 5.91"

Material	Standard
X2 Cr Ni 18-9	EN 10 088-2

Propriété exclusive de LEGRAND, ne peut être ni copié, ni transmis à des tiers sans autorisation écrite.

Exclusive property of LEGRAND shouldn't be reproduced or transmitted to any people without written authorization