

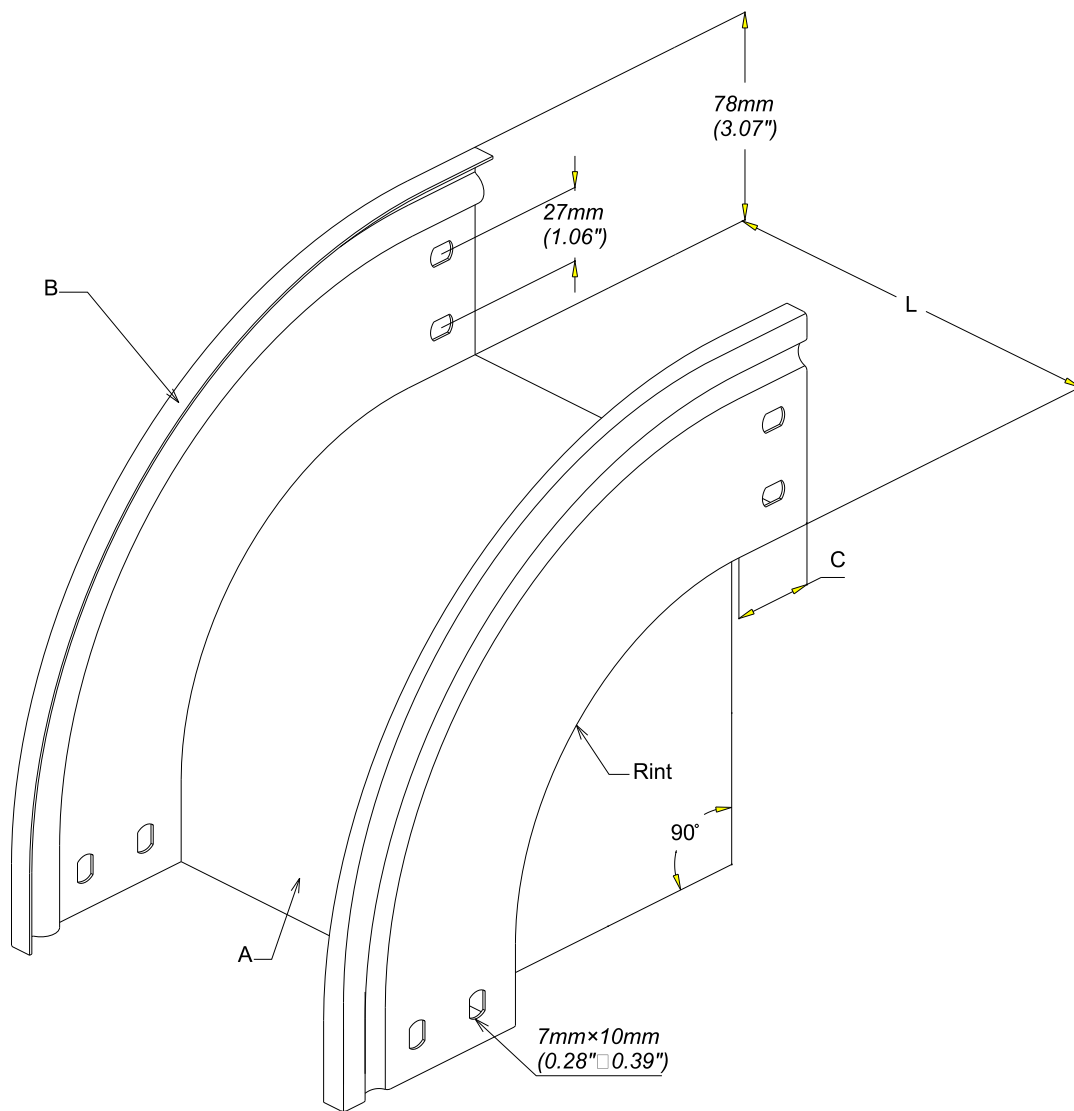
CHT PL CONV P31 OR H75 75 à 600  
OUTSIDE RISER P31 75x75 to 600

GS  
PG

**legrand** | CABLE  
MANAGEMENT

FT0601-0

10 16



REF	CODE	L /L		A /A		B /B		C /C		R /R	
		(mm)	(inch)	(mm)	(inch)	(mm)	(inch)	(mm)	(inch)	(mm)	(inch)
P31 OR 75x75	341 046	75	(2.92")	0.8	(0.032")	1	(0.039")	30	(1.18")	100	(3.94")
P31 OR 75x100	341 047	100	(3.94")	0.8	(0.032")	1	(0.039")	30	(1.18")	100	(3.94")
P31 OR 75x150	341 048	150	(5.91")	0.8	(0.032")	1	(0.039")	30	(1.18")	100	(3.94")
P31 OR 75x200	341 049	200	(5.91")	0.8	(0.032")	1	(0.039")	30	(1.18")	100	(3.94")
P31 OR 75x300	341 050	300	(7.87")	1	(0.039")	1	(0.039")	30	(1.18")	100	(3.94")
P31 OR 75x400	341 051	400	(11.81")	1	(0.039")	1	(0.039")	50	(1.97")	171	(6.73")
P31 OR 75x500	341 052	500	(19.69")	1	(0.039")	1	(0.039")	50	(1.97")	171	(6.73")
P31 OR 75x600	341 053	600	(23.62")	1	(0.039")	1	(0.039")	50	(1.97")	171	(6.73")

Material	Standard
DX 51 D Z 200 MAC	EN 10 346

Propriété exclusive de LEGRAND, ne peut être ni copié, ni transmis à des tiers sans autorisation écrite.

Exclusive property of LEGRAND shouldn't be reproduced or transmitted to any people without written authorization