

CHT PL CONC P31 IR H75 75 à 600
INSIDE RISER P31 75x75 to 600

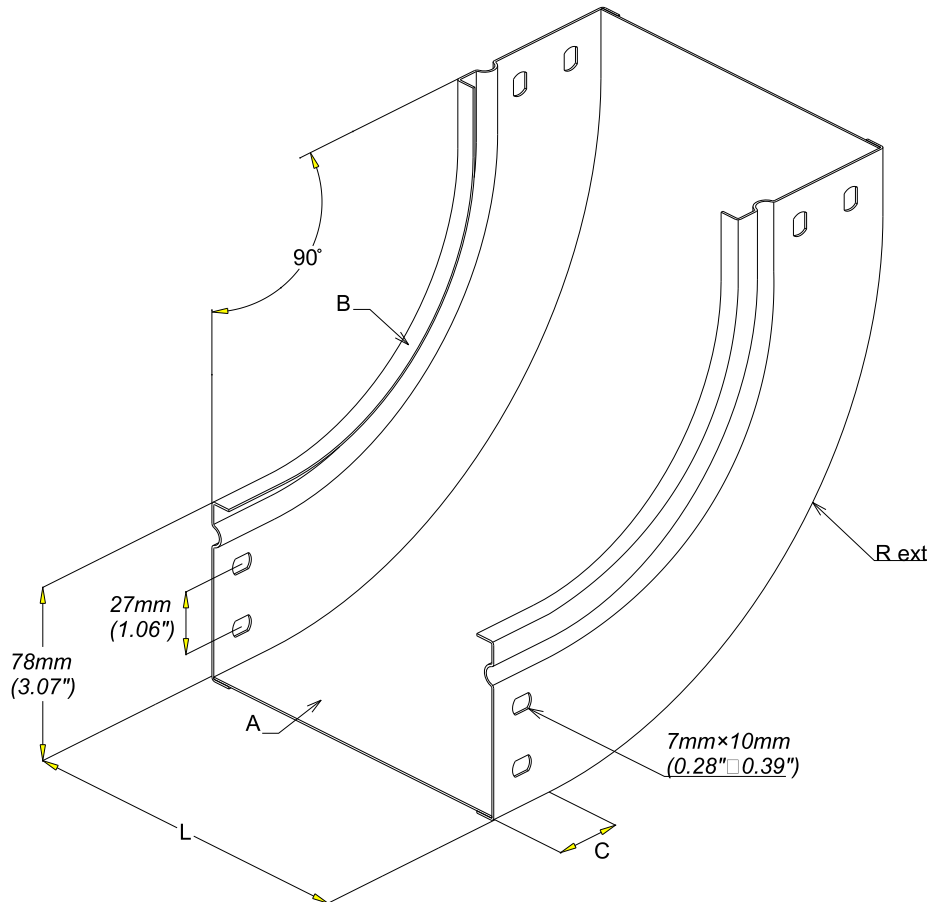
GC
HDG



CABLE
MANAGEMENT

FT0602-3

10 16



REF	CODE	L /L (mm) (inch)	A /A (mm) (inch)	B /B (mm) (inch)	C /C (mm) (inch)	R /R (mm) (inch)
P31 IR 75x75	342 987	75 (2.92")	0.8 (0.032")	1 (0.039")	30 (1.18")	178 (7.01")
P31 IR 75x100	342 988	100 (3.94")	0.8 (0.032")	1 (0.039")	30 (1.18")	178 (7.01")
P31 IR 75x150	342 989	150 (5.91")	0.8 (0.032")	1 (0.039")	30 (1.18")	178 (7.01")
P31 IR 75x200	342 990	200 (5.91")	0.8 (0.032")	1 (0.039")	30 (1.18")	178 (7.01")
P31 IR 75x300	342 991	300 (7.87")	1 (0.039")	1 (0.039")	30 (1.18")	178 (7.01")
P31 IR 75x400	342 992	400 (11.81")	1 (0.039")	1 (0.039")	50 (1.97")	228 (8.98")
P31 IR 75x500	342 993	500 (19.69")	1 (0.039")	1 (0.039")	50 (1.97")	228 (8.98")
P31 IR 75x600	342 994	600 (23.62")	1 (0.039")	1 (0.039")	50 (1.97")	228 (8.98")

Material	Standard	Finishes	Standard
S 235 JR	EN 10 025-2	HDG	Class 6 according to CEI 61537

Propriété exclusive de LEGRAND, ne peut être ni copié, ni transmis à des tiers sans autorisation écrite.

Exclusive property of LEGRAND shouldn't be reproduced or transmitted to any people without written authorization