

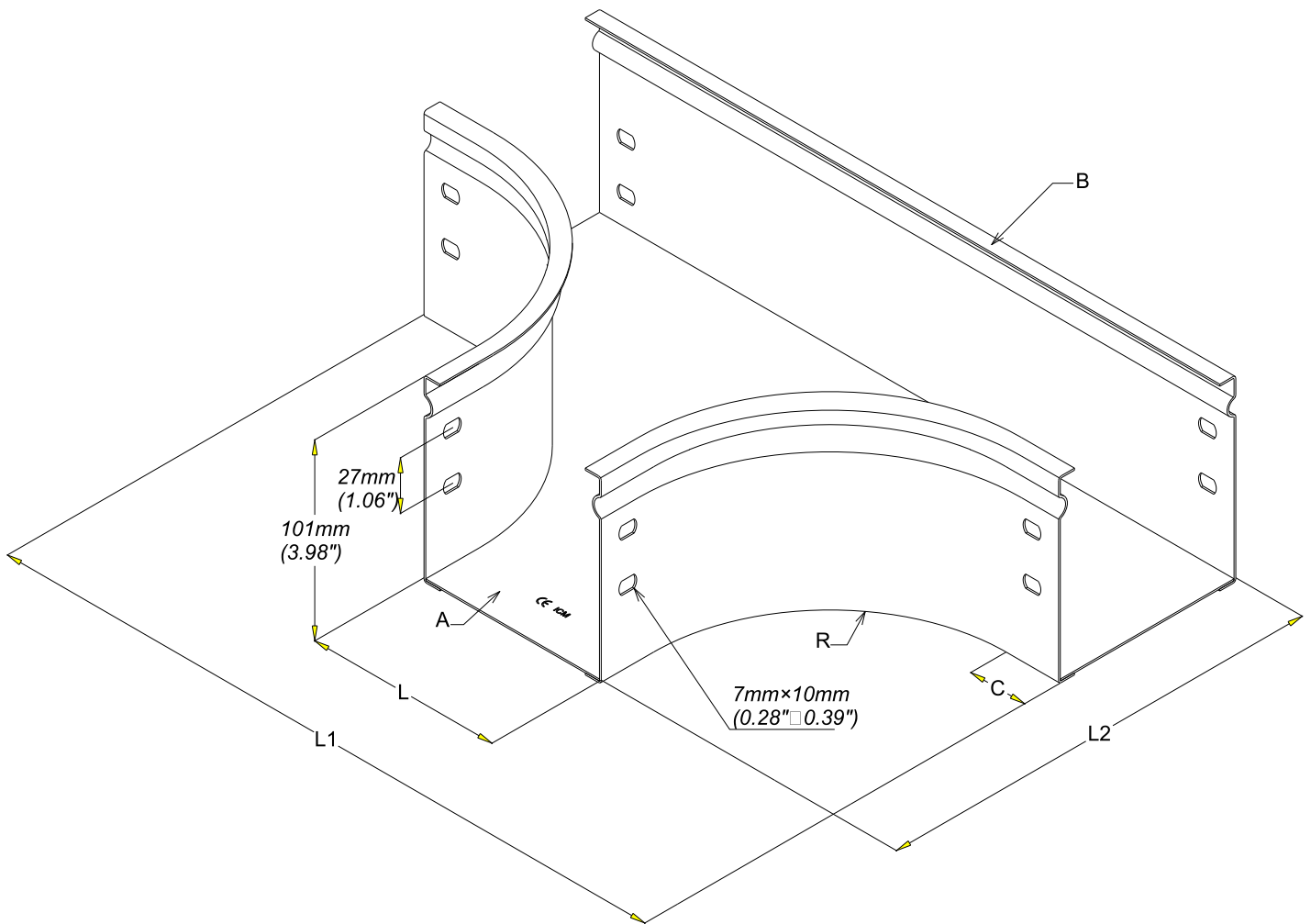
TE P31 T H100 100 à 600
T-PIECE P31 100x100 to 600

GC
HDG

legrand CABLE
MANAGEMENT

FT0605-3

10 16



REF	CODE	L /L (mm) (inch)	A /A (mm) (inch)	B /B (mm) (inch)	C /C (mm) (inch)	R /R (mm) (inch)	L1 /L1 (mm) (inch)	L2 /L2 (mm) (inch)
P31 T 100x100	343 119	100 (3.94")	0.8 (0.032")	1 (0.039")	30 (1.18")	100 (3.94")	358 (14.11")	229 (9.02")
P31 T 100x150	343 120	150 (5.91")	0.8 (0.032")	1 (0.039")	30 (1.18")	100 (3.94")	408 (16.08")	279 (10.99")
P31 T 100x200	343 121	200 (7.87")	0.8 (0.032")	1 (0.039")	30 (1.18")	100 (3.94")	458 (18.05")	329 (12.96")
P31 T 100x300	343 122	300 (11.81")	1 (0.039")	1 (0.039")	30 (1.18")	100 (3.94")	558 (21.99")	429 (16.90")
P31 T 100x400	343 123	400 (15.75")	1 (0.039")	1 (0.039")	50 (1.97")	150 (5.91")	798 (31.44")	599 (23.60")
P31 T 100x500	343 124	500 (19.69")	1 (0.039")	1 (0.039")	50 (1.97")	150 (5.91")	898 (35.38")	699 (27.54")
P31 T 100x600	350 517	600 (23.62")	1 (0.039")	1 (0.039")	50 (1.97")	150 (5.91")	998 (39.29")	799 (31.46")

Material	Standard	Finishes	Standard
S235 JR	EN 10130	HDG	Class 6 according to CEI 61537

Propriété exclusive de LEGRAND, ne peut être ni copié, ni transmis à des tiers sans autorisation écrite.

Exclusive property of LEGRAND shouldn't be reproduced or transmitted to any people without written authorization