

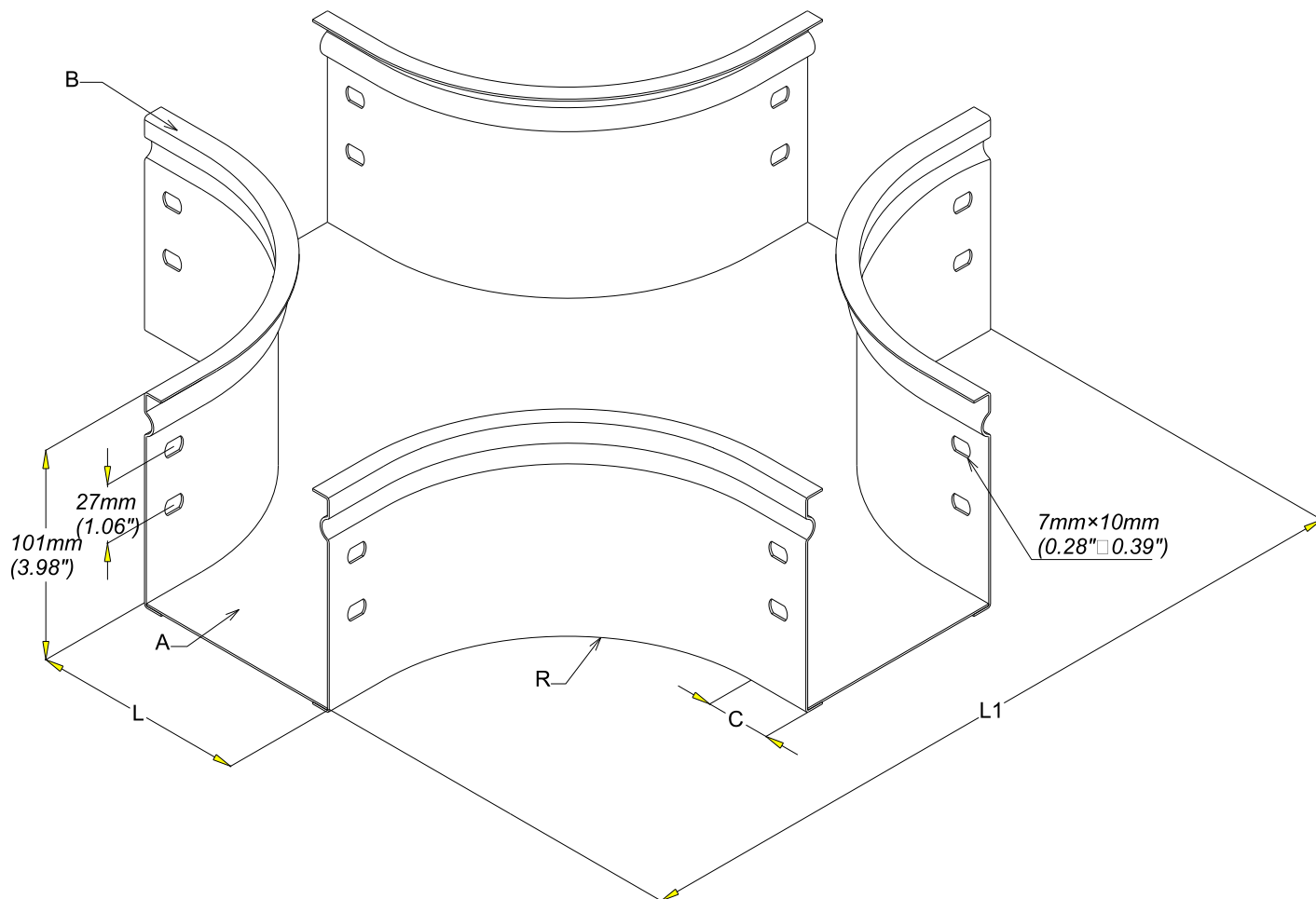
CROIX P31 X H100 100 à 600  
 Cross P31 100x100 to 600

GC  
 HDG

**legrand** | CABLE  
 MANAGEMENT

FT0606-3

10 16



REF	CODE	L /L		A /A		B /B		C /C		R /R		L1 /L1	
		(mm)	(inch)	(mm)	(inch)	(mm)	(inch)	(mm)	(inch)	(mm)	(inch)	(mm)	(inch)
P31 X 100x100	343 149	100	(3.94")	0.8	(0.032")	1	(0.039")	30	(1.18")	100	(3.94")	358	(14.11")
P31 X 100x150	343 150	150	(5.91")	0.8	(0.032")	1	(0.039")	30	(1.18")	100	(3.94")	408	(16.08")
P31 X 100x200	343 151	200	(5.91")	0.8	(0.032")	1	(0.039")	30	(1.18")	100	(3.94")	458	(18.05")
P31 X 100x300	343 152	300	(7.87")	1	(0.039")	1	(0.039")	30	(1.18")	100	(3.94")	558	(21.99")
P31 X 100x400	343 153	400	(11.81")	1	(0.039")	1	(0.039")	50	(1.97")	150	(5.91")	798	(31.44")
P31 X 100x500	343 154	500	(19.69")	1	(0.039")	1	(0.039")	50	(1.97")	150	(5.91")	898	(35.38")
P31 X 100x600	350 521	600	(23.62")	1	(0.039")	1	(0.039")	50	(1.97")	150	(5.91")	998	(39.29")

Material	Standard	Finishes	Standard
S235 JR	EN 10130	HDG	Class 6 according to CEI 61537