

CHT PL CONV P31 OR H100 100 à 600  
 OUTSIDE RISER P31 100x100 to 600

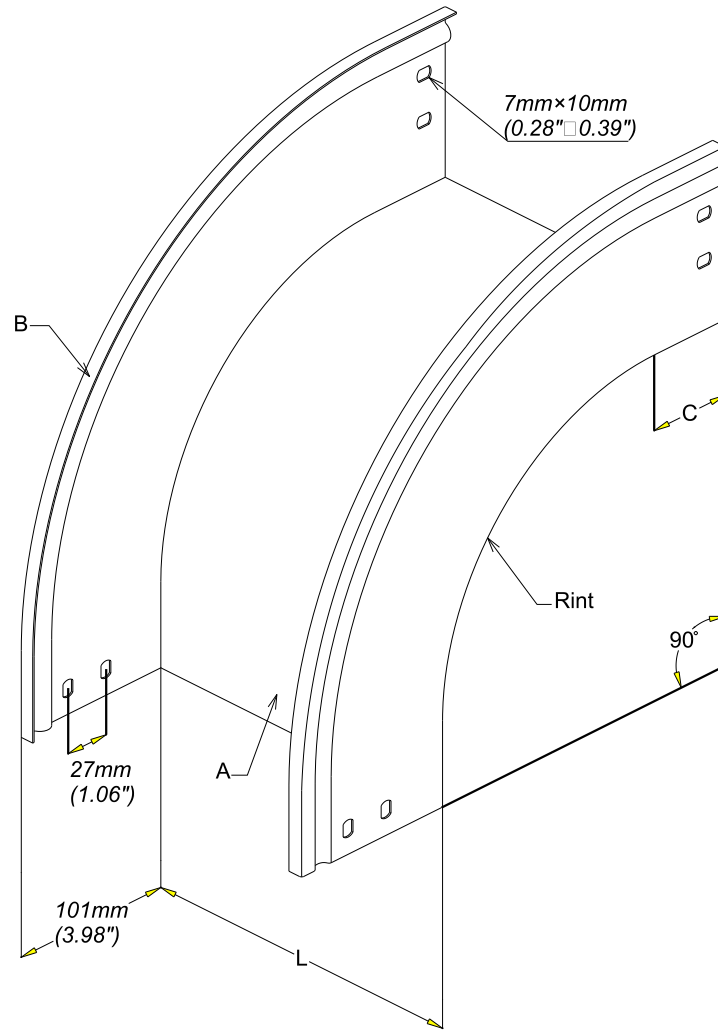
GS  
 PG



CABLE  
 MANAGEMENT

FT0608-0

10 16



REF	CODE	L /L		A /A		B /B		C /C		R /R	
		(mm)	(inch)	(mm)	(inch)	(mm)	(inch)	(mm)	(inch)	(mm)	(inch)
P31 OR 100x100	341 054	100	(3.94")	0.8	(0.032")	1	(0.039")	30	(1.18")	150	(5.91")
P31 OR 100x150	341 055	150	(5.91")	0.8	(0.032")	1	(0.039")	30	(1.18")	150	(5.91")
P31 OR 100x200	341 056	200	(5.91")	0.8	(0.032")	1	(0.039")	30	(1.18")	150	(5.91")
P31 OR 100x300	341 057	300	(7.87")	1	(0.039")	1	(0.039")	30	(1.18")	150	(5.91")
P31 OR 100x400	341 058	400	(11.81")	1	(0.039")	1	(0.039")	50	(1.97")	150	(5.91")
P31 OR 100x500	341 059	500	(19.69")	1	(0.039")	1	(0.039")	50	(1.97")	150	(5.91")
P31 OR 100x600	341 007	600	(23.62")	1	(0.039")	1	(0.039")	50	(1.97")	150	(5.91")

<b>Material</b>	<b>Standard</b>
DX 51 D Z 200 MAC	EN 10 346

Propriété exclusive de LEGRAND, ne peut être ni copié, ni transmis à des tiers sans autorisation écrite.

Exclusive property of LEGRAND shouldn't be reproduced or transmitted to any people without written authorization