

ECLISSE ART JONCT VERT P31
VERT ADJ COUPLER P31

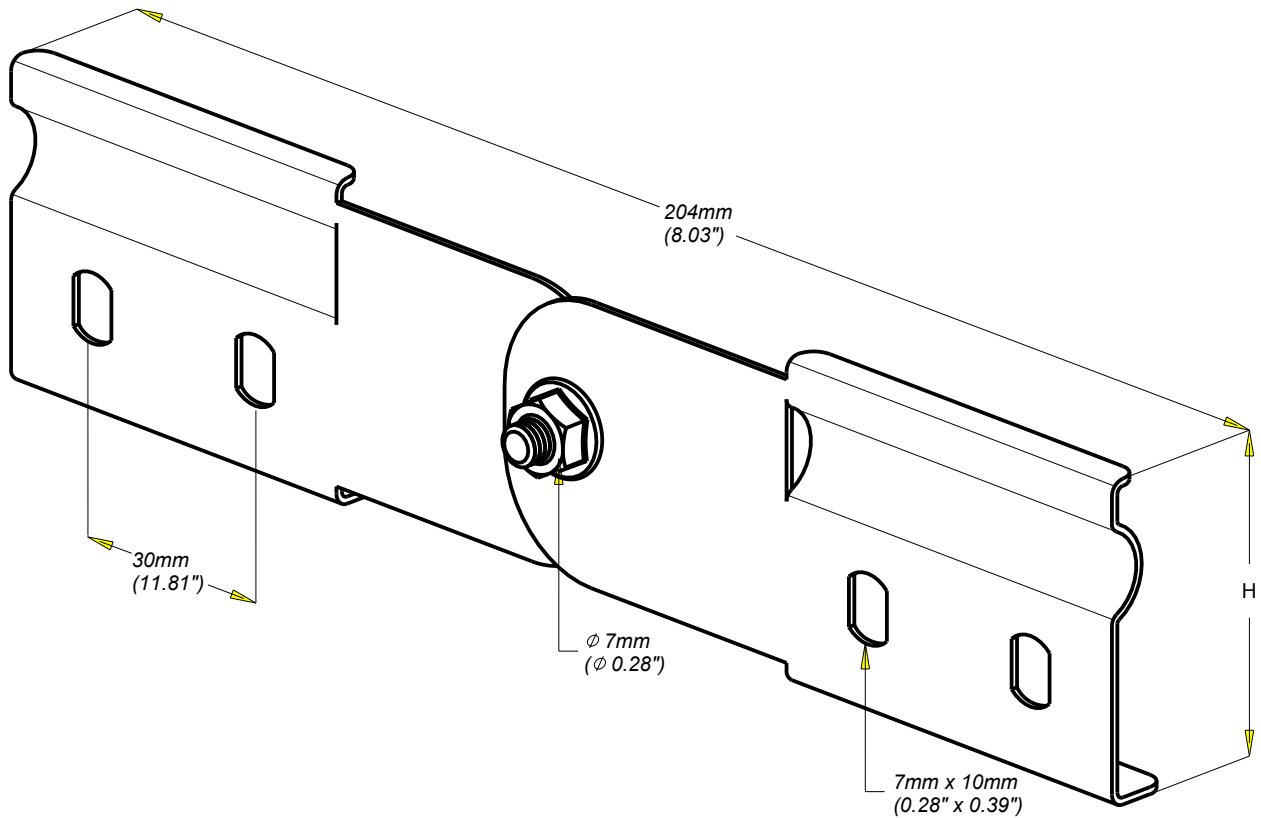
GS
PG



CABLE
MANAGEMENT

FT0728-0

11 13



REF	CODE	POIDS /WEIGHT		H /H		EP. /TH.	
		(Kg)	(lb)	(mm)	(inch)	(mm)	(inch)
P31 EV 50	341 565	0.180	0.396	48	(1.890")	1.4	(0.055")
P31 EV 75	341 624	0.250	0.550	75	(2.953")	1.4	(0.055")
P31 EV 100	341 677	0.300	0.660	98	(3.858")	1.4	(0.055")

Material	Standard
DX 51 D Z 275 MAC	EN 10 346