

DALLE P31 HBM25 50
TRAY P31 PERF HB H25 50

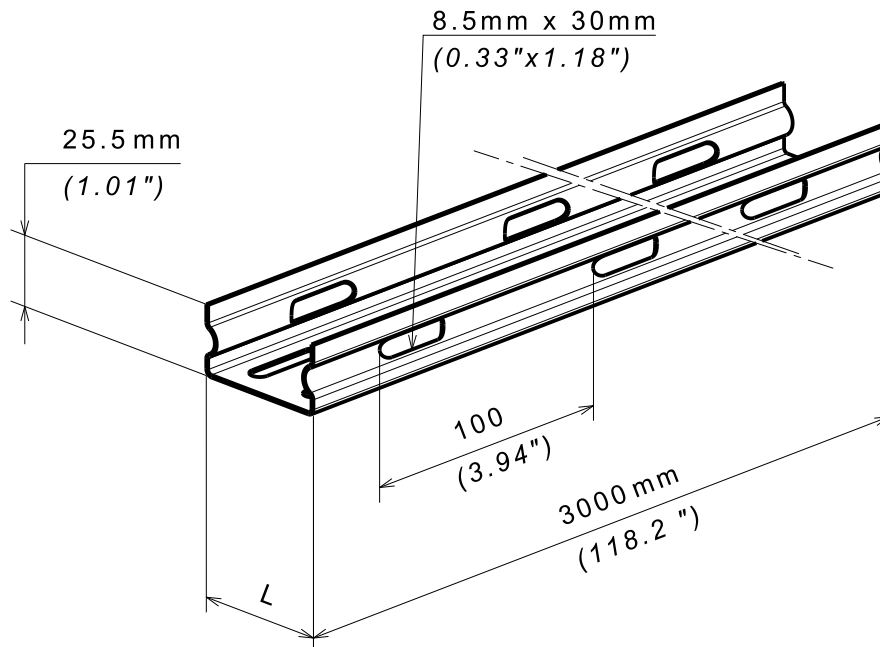
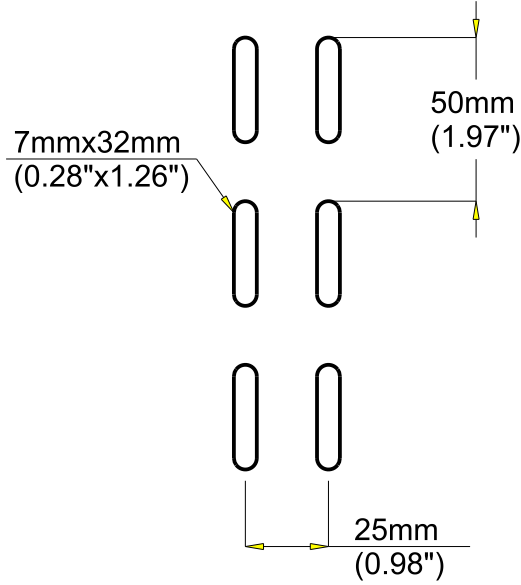
GC
HDG

legrand | CABLE
MANAGEMENT

FT0736-3

01 13

P31 HBM 25x50



REF	CODE	POIDS /WEIGHT		L / L		EP. / TH.	
		(Kg/m)	(lb/ft)	(mm)	(inch)	(mm)	(inch)
P31 HBM 25x50	342 440	0.741	0.494	50	(1.969")	0.9	(0.035")

Material	Standard
DC01	EN 10130
Finition Coating	Standard
GC / HDG	Class 6 according to CEI 61537

Propriété exclusive de LEGRAND, ne peut être ni copié, ni transmis à des tiers sans autorisation écrite.

Exclusive property of LEGRAND shouldn't be reproduced or transmitted to any people without written authorization