

DALLE P31 HBM25 75
TRAY P31 PERF HB H25 75

GC
HDG

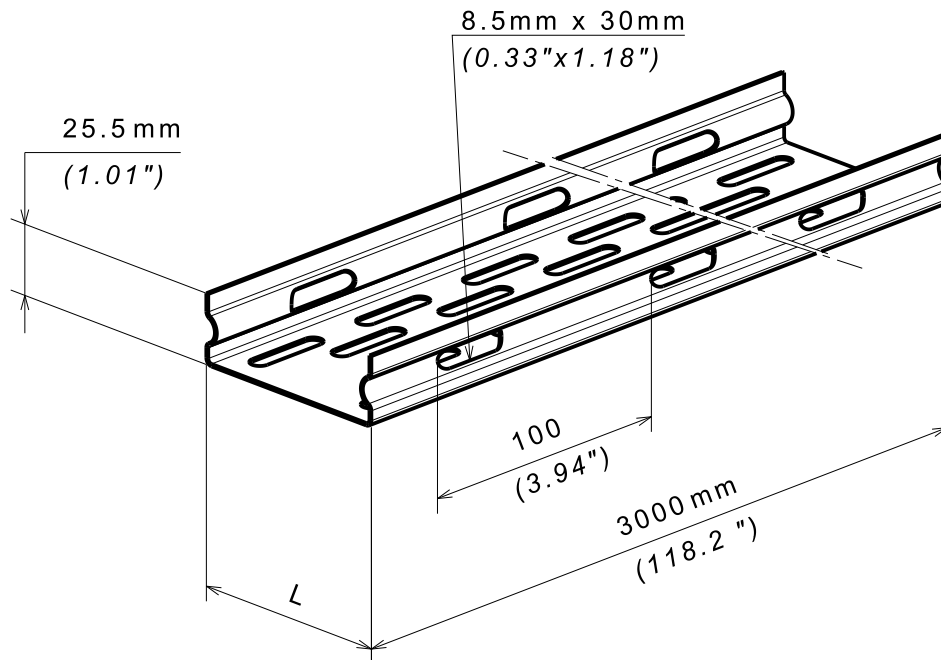
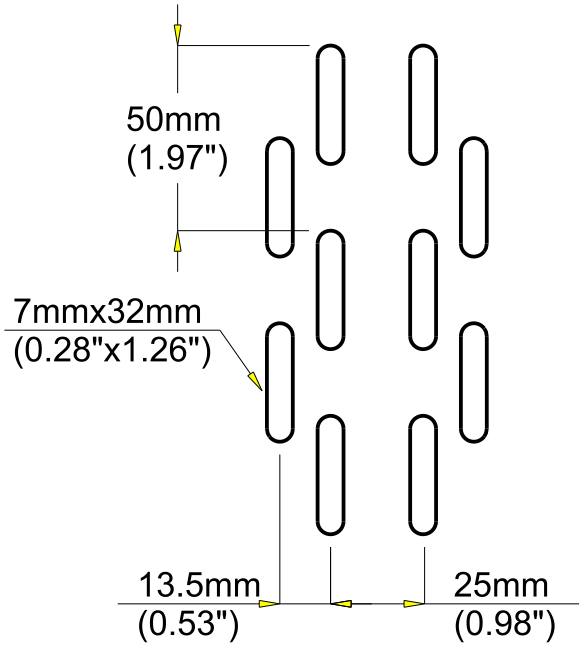


CABLE
MANAGEMENT

FT0737-3

01 13

P31 HBM 25x75



REF	CODE	POIDS /WEIGHT		L / L		EP. / TH.		Material	Standard	Finishes	Standard
		(Kg/m)	(lb/ft)	(mm)	(inch)	(mm)	(inch)				
P31 HBM 25x75	343 387	0.848	0.570	77	(3.031")	0.9	(0.035")	DC01 Am	EN 10130	Hot dip galvanized	EN ISO 1461

Propriété exclusive de LEGRAND, ne peut être ni copié, ni transmis à des tiers sans autorisation écrite.
Exclusive property of LEGRAND shouldn't be reproduced or transmitted to any people without written authorization