

DALLE P31 HBM25 100 to 200  
 TRAY P31 PERF HB H25 100 to 200

GS / PG

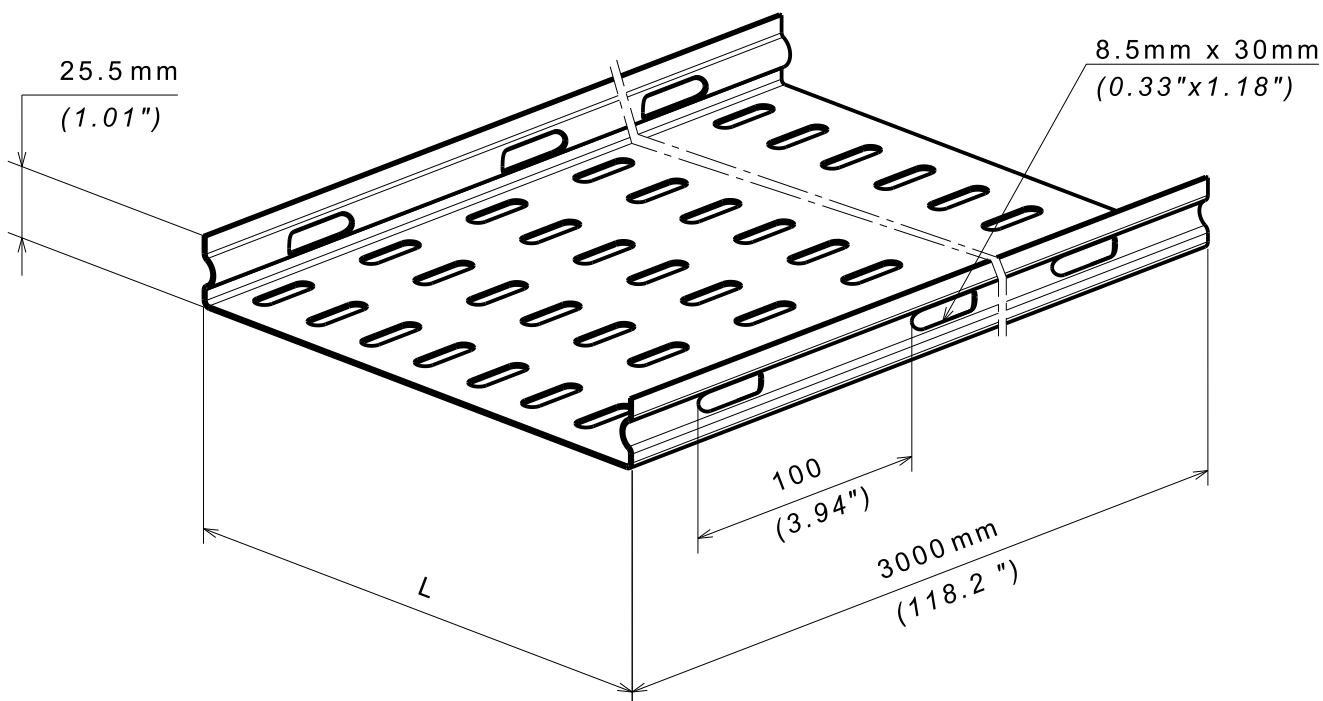
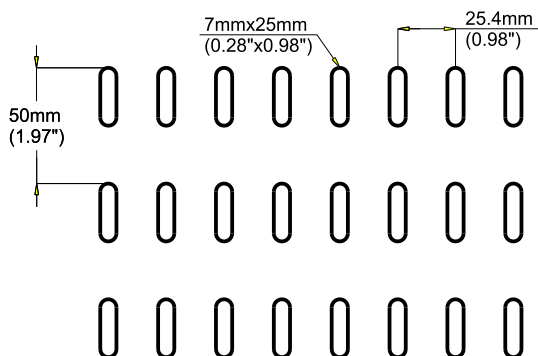


CABLE  
 MANAGEMENT

FT0738-0

01 13

P31 HBM 25x100 à 200



REF	CODE	POIDS /WEIGHT		L / L		EP. / TH.	
		(Kg/m)	(lb/ft)	(mm)	(inch)	(mm)	(inch)
P31 HBM 25x100	340 442	0.961	0.646	100	(3.937")	0.9	(0.035")
P31 HBM 25x150	340 443	1.545	1.038	150	(5.906")	1.1	(0.043")
P31 HBM 25x200	340 444	1.921	1.290	200	(7.874")	1.1	(0.043")

Material	Standard
DX51D Z 200 MAC	EN 10 346

Propriété exclusive de LEGRAND, ne peut être ni copié, ni transmis à des tiers sans autorisation écrite.  
 Exclusive property of LEGRAND shouldn't be reproduced or transmitted to any people without written authorization