

DALLE P31 HBM50 50
 TRAY P31 PERF HB H50 50

GC
 HDG

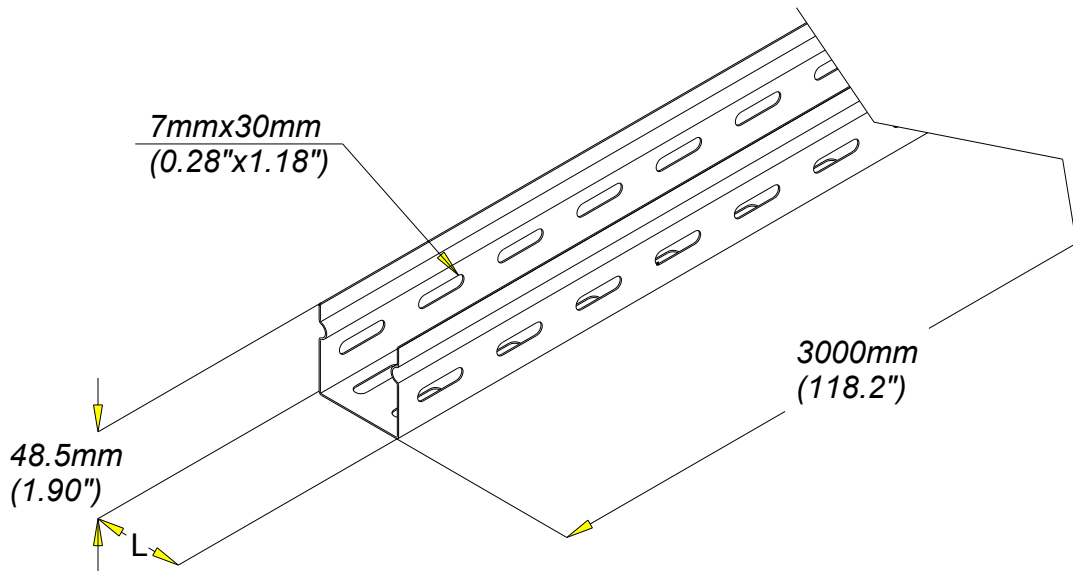
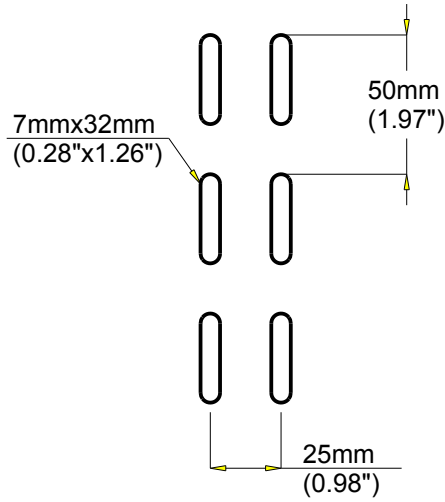


CABLE
 MANAGEMENT

FT0739-3

11 13

P31 HBM 50x50



NORMES/STANDARD

REF	CODE	POIDS /WEIGHT (Kg/m) (lb/ft)		L / L (mm) (inch)		EP. / TH. (mm) (inch)		MATIERE / MATIERAL S 235 JR	EN 10 025
P31 HBM 50x50	342 840	1.036	0.690	50	(1.969")	0.9	(0.035")	PROTECTION / COATING GC/HDG	EN ISO 1461