

DALLE P31 HBM50 50
TRAY P31 PERF HB H50 50

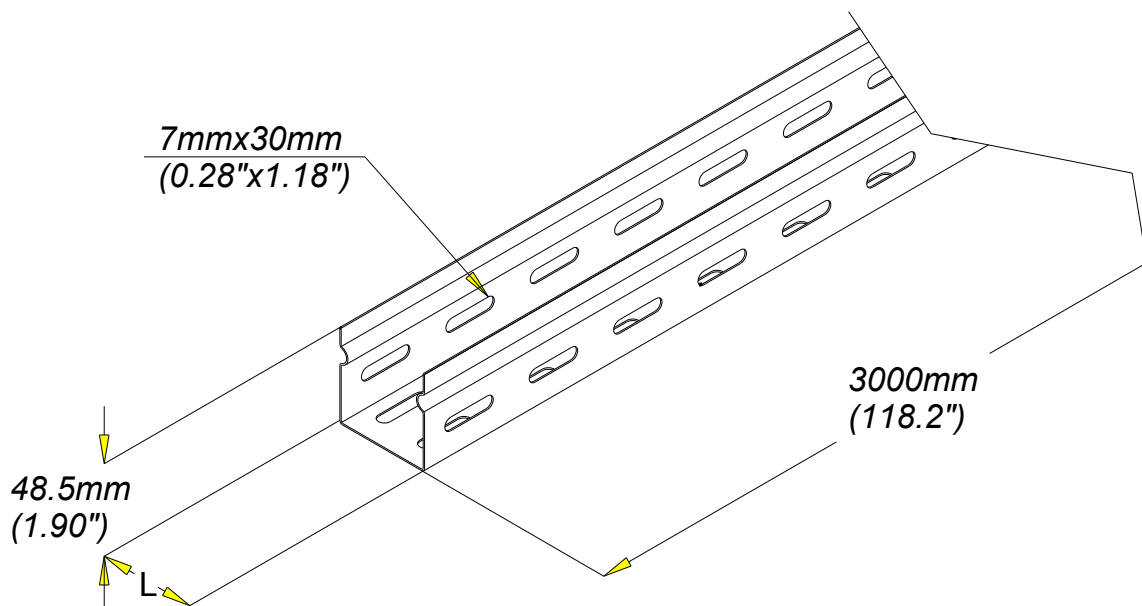
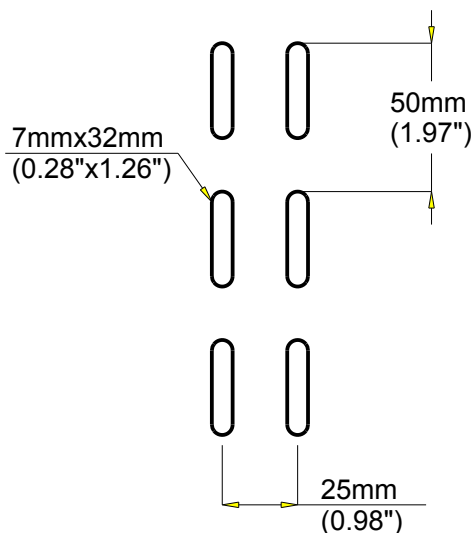
GS
PG

legrand | CABLE
MANAGEMENT

FT0739-0

11 13

P31 HBM 50x50



REF	CODE	POIDS /WEIGHT		L / L		EP. / TH.		Material	Standard
		(Kg/m)	(lb/ft)	(mm)	(inch)	(mm)	(inch)		
P31 HBM 50x50	340 840	0.942	0.628	50	(1.969")	0.9	(0.035")	DX 51 D Z 275 MAC	EN 10 346