

DALLE P31 HBM50 75  
TRAY P31 PERF HB H50 75

GC  
HDG

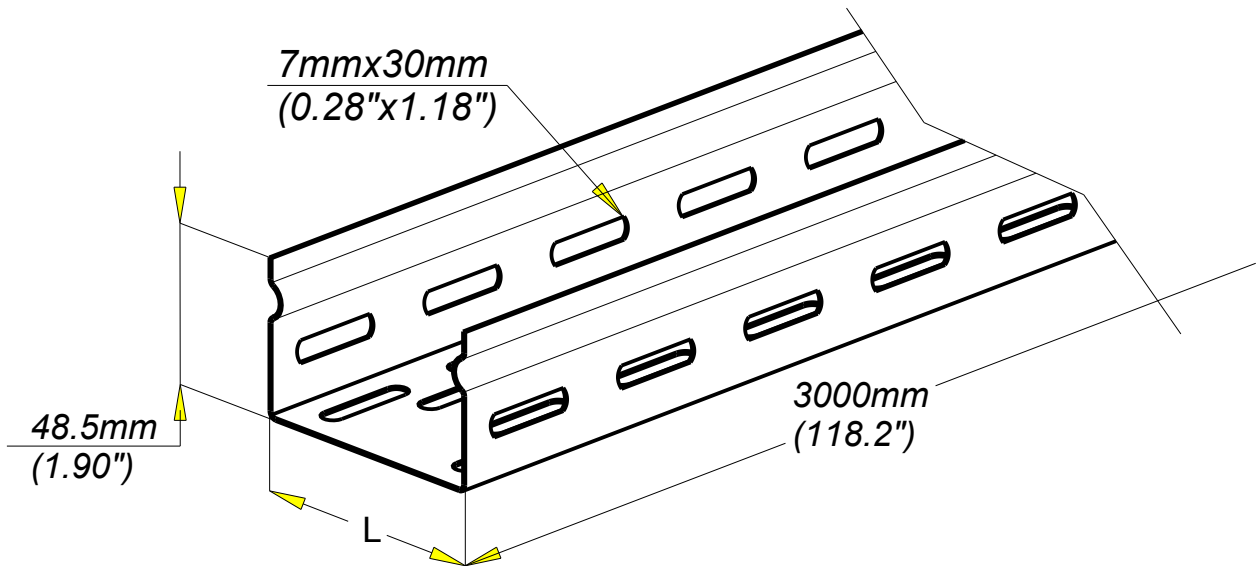
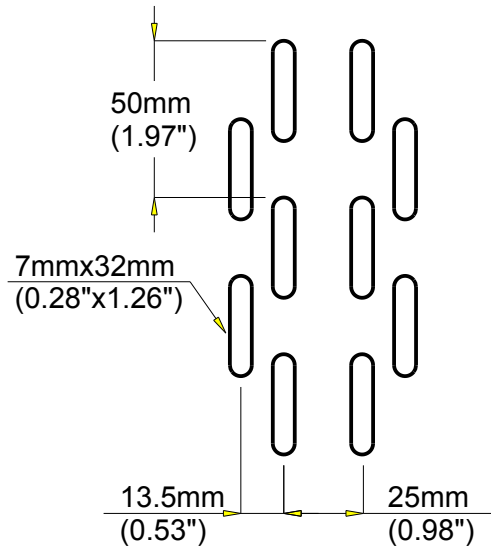


CABLE  
MANAGEMENT

FT0740-3

11 13

P31 HBM 50x75



NORMES / STANDARD

REF	CODE	POIDS / WEIGHT (Kg/m) (lb/ft)		L / L (mm) (inch)		EP. / TH. (mm) (inch)		MATIERE / MATERIAL DX 51 D Z 275 MAC	EN 10 327
P31 HBM 50x75	342 841	1.181	0.787	77	(3.031")	0.9	(0.035")	PROTECTION / COATING GC/HDG	EN ISO 1461