

DALLE P31 HBM50 75  
 TRAY P31 PERF HB H50 75

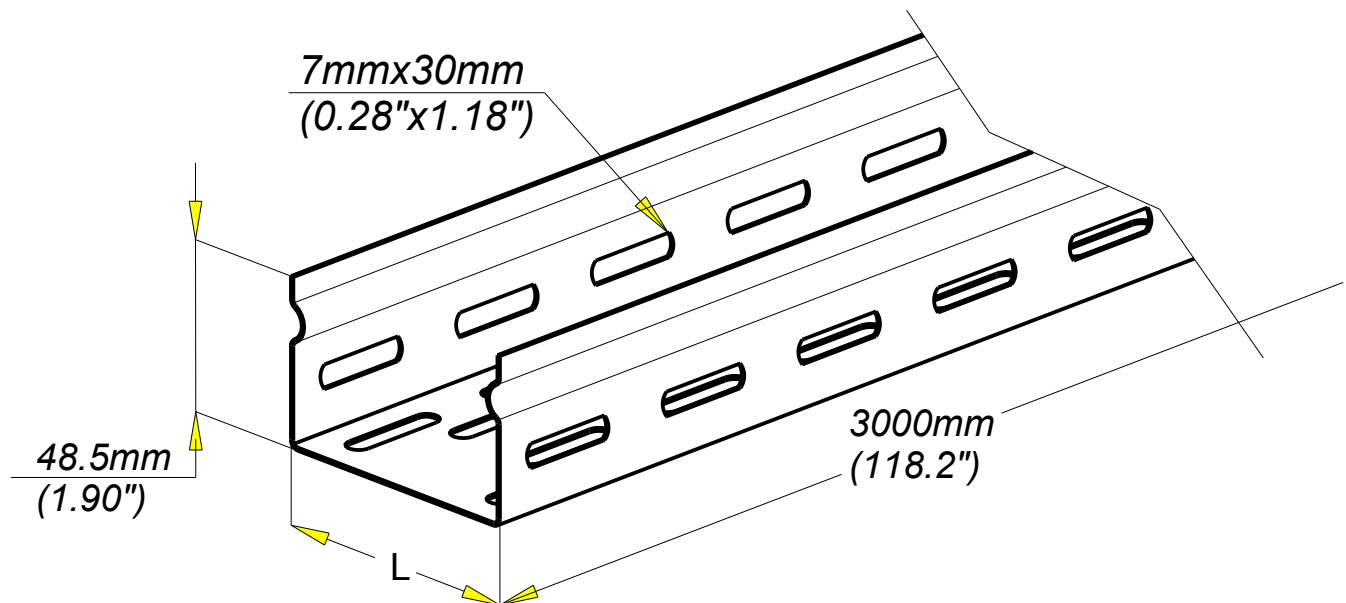
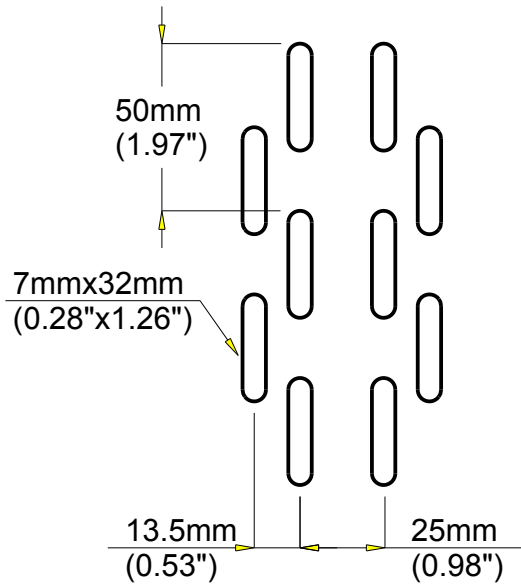
GS  
 PG

**legrand** | CABLE  
 MANAGEMENT

FT0740-0

11 13

P31 HBM 50x75



REF	CODE	POIDS /WEIGHT (Kg/m) (lb/ft)		L / L (mm) (inch)		EP. / TH. (mm) (inch)		Material	Standard
P31 HBM 50x75	340 841	1.074	0.716	77	(3.031")	0.9	(0.035")	DX 51 D Z 275 MAC	EN 10 346