

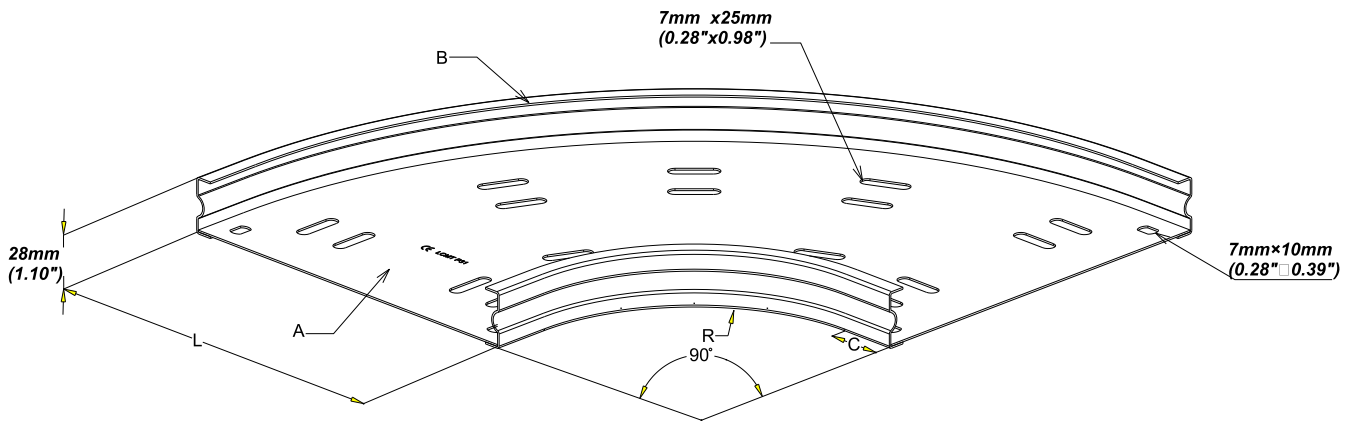
COUDE 90 P31 FBP H25 100 à 500  
Perforated Flat bend P31 100x50 to 500

GS  
PG

**legrand** | CABLE  
MANAGEMENT

FT0754-0

11 13



| REF            | CODE    | L /L<br>(mm)<br>(inch) | A /A<br>(mm)<br>(inch) | B /B<br>(mm)<br>(inch) | C /C<br>(mm)<br>(inch) | R /R<br>(mm)<br>(inch) |
|----------------|---------|------------------------|------------------------|------------------------|------------------------|------------------------|
| P31 FBP 25x100 | 341 184 | 100 (3.94")            | 0.8 (0.032")           | 1 (0.039")             | 30 (1.18")             | 100 (3.94")            |
| P31 FBP 25x150 | 341 185 | 150 (5.91")            | 0.8 (0.032")           | 1 (0.039")             | 30 (1.18")             | 100 (3.94")            |
| P31 FBP 25x200 | 341 186 | 200 (5.91")            | 0.8 (0.032")           | 1 (0.039")             | 30 (1.18")             | 100 (3.94")            |
| P31 FBP 25x300 | 341 187 | 300 (7.87")            | 1 (0.039")             | 1 (0.039")             | 30 (1.18")             | 100 (3.94")            |
| P31 FBP 25x400 | 341 188 | 400 (11.81")           | 1 (0.039")             | 1 (0.039")             | 50 (1.97")             | 150 (5.91")            |
| P31 FBP 25x500 | 341 189 | 500 (19.69")           | 1 (0.039")             | 1 (0.039")             | 50 (1.97")             | 150 (5.91")            |

| Material          | Standard  |
|-------------------|-----------|
| DX 51 D Z 275 MAC | EN 10 346 |