

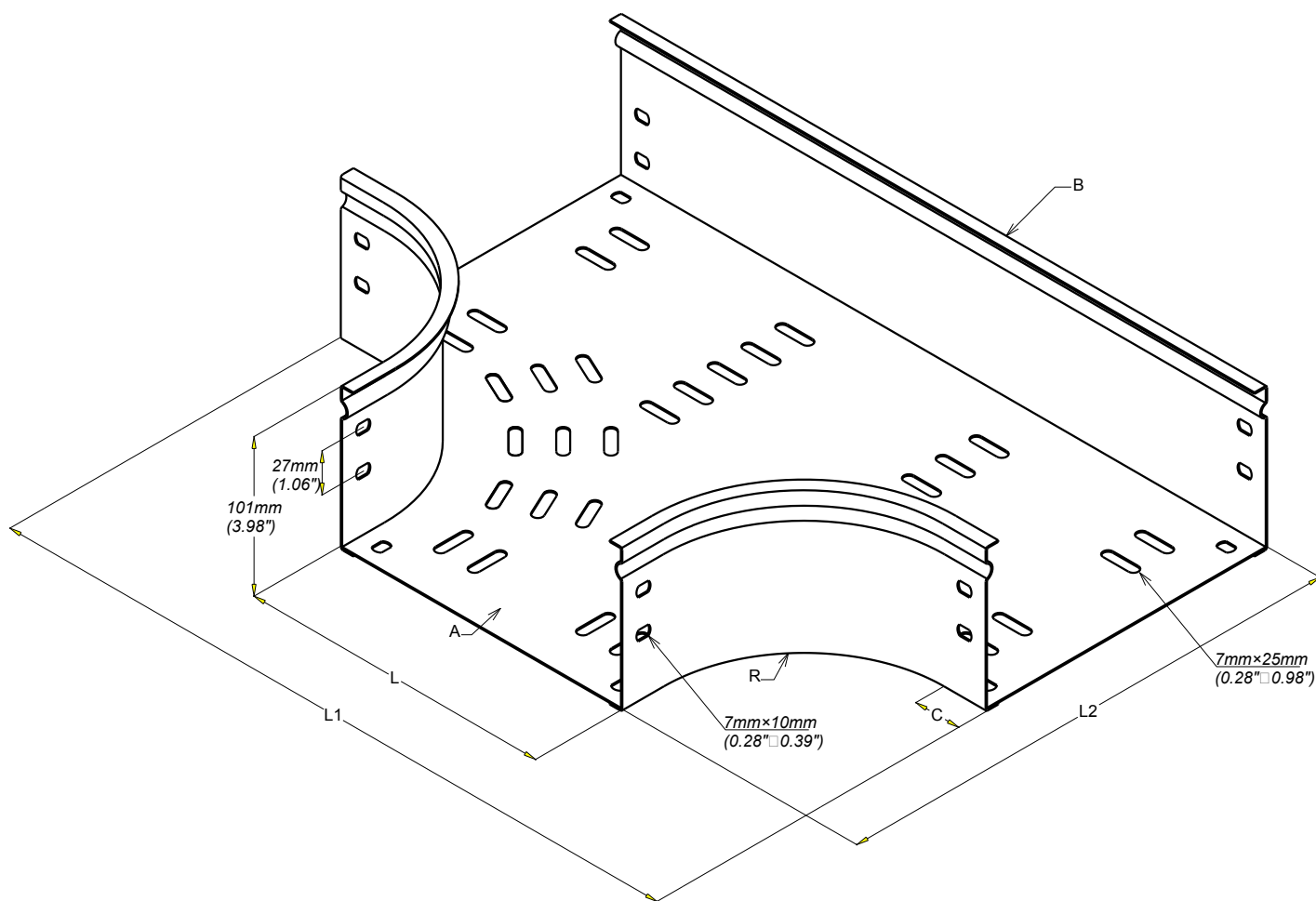
TE P31 TEP H100 100 à 500  
 PERFORATED T-PIECE P31 100x100 to 500

GS  
 PG

**legrand** | CABLE  
 MANAGEMENT

FT0765-0

11 13



REF	CODE	L /L	A /A	B /B	C /C	R /R	L1 /L1	L2 /L2
		(mm) (inch)	(mm) (inch)	(mm) (inch)	(mm) (inch)	(mm) (inch)	(mm) (inch)	(mm) (inch)
P31 TEP 100x100	341 466	100 (3.94")	0.8 (0.032")	1 (0.039")	30 (1.18")	100 (3.94")	358 (14.11")	229 (9.02")
P31 TEP 100x150	341 467	150 (5.91")	0.8 (0.032")	1 (0.039")	30 (1.18")	100 (3.94")	408 (16.08")	279 (10.99")
P31 TEP 100x200	341 468	200 (7.87")	0.8 (0.032")	1 (0.039")	30 (1.18")	100 (3.94")	458 (18.05")	329 (12.96")
P31 TEP 100x300	341 469	300 (11.81")	1 (0.039")	1 (0.039")	30 (1.18")	100 (3.94")	558 (21.99")	429 (16.90")
P31 TEP 100x400	341 470	400 (15.75")	1 (0.039")	1 (0.039")	50 (1.97")	150 (5.91")	798 (31.44")	599 (23.60")
P31 TEP 100x500	341 471	500 (19.69")	1 (0.039")	1 (0.039")	50 (1.97")	150 (5.91")	898 (35.38")	699 (27.54")

Material	Standard
DX 51 D Z 275 MAC	EN 10 346

Propriété exclusive de LEGRAND, ne peut être ni copié, ni transmis à des tiers sans autorisation écrite.

Exclusive property of LEGRAND shouldn't be reproduced or transmitted to any people

without written authorization