

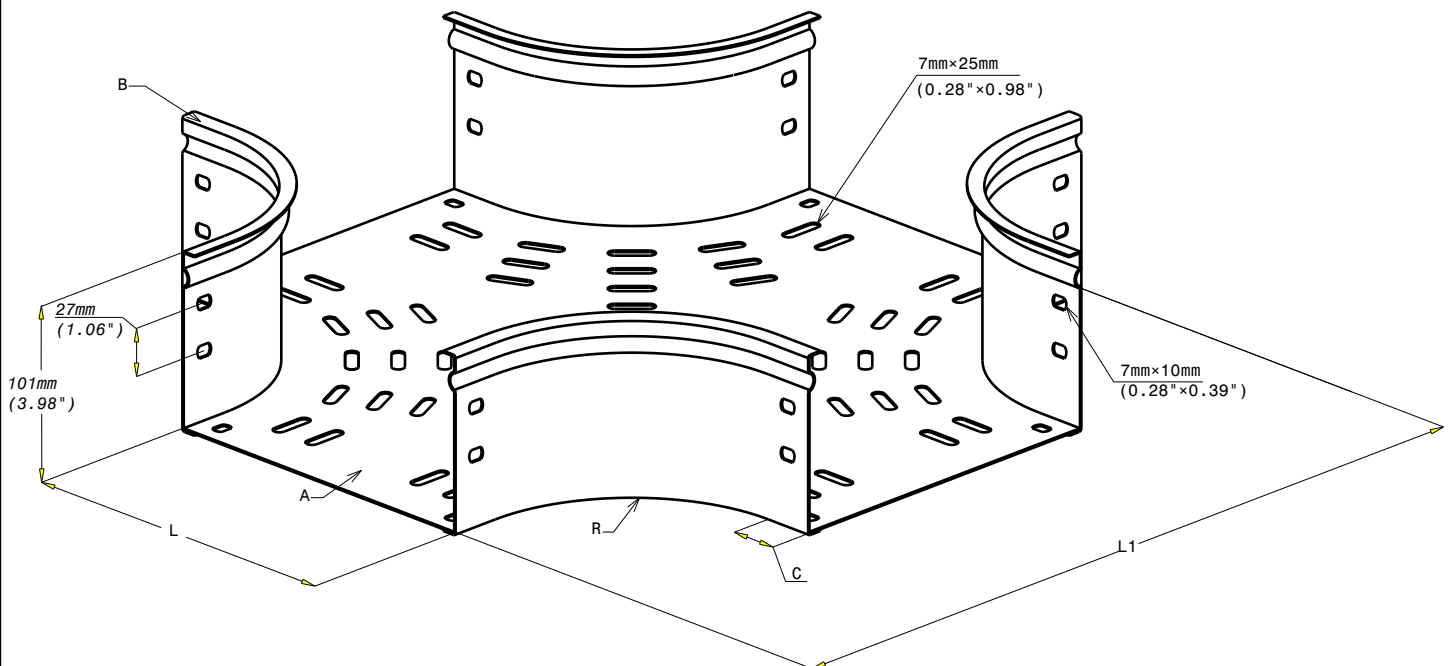
CROIX P31 XP H100 100 à 500
 PERFORATED Cross P31 100x100 to 500 PREGALV.

GS



CABLE
 MANAGEMENT

FT0769-0 01 18



REF	CODE	L (mm)	/L (Inch)	A (mm)	/A (Inch)	B (mm)	/B (Inch)	C (mm)	/C (Inch)	R (mm)	/R (Inch)	L1 (mm)	/L1 (Inch)
P31 XP 100x100	341 492	100	(3.94")	0.8	(0.032")	1	(0.039")	30	(1.18")	100	(3.94")	358	(14.11")
P31 XP 100x150	341 493	150	(5.91")	0.8	(0.032")	1	(0.039")	30	(1.18")	100	(3.94")	408	(16.08")
P31 XP 100x200	341 494	200	(5.91")	0.8	(0.032")	1	(0.039")	30	(1.18")	100	(3.94")	458	(18.05")
P31 XP 100x300	341 495	300	(7.87")	1	(0.039")	1	(0.039")	30	(1.18")	100	(3.94")	558	(21.99")
P31 XP 100x400	341 496	400	(11.81")	1	(0.039")	1	(0.039")	50	(1.97")	150	(5.91")	798	(31.44")
P31 XP 100x500	341 497	500	(19.69")	1	(0.039")	1	(0.039")	50	(1.97")	150	(5.91")	898	(35.38")

NORMES
 STANDARD

MATIERE / MATIERAL
 DX 51 D Z 200 MAC

EN 10 346

PROTECTION / COATING
 Pregalvanised

EN 10 346

Propriété exclusive de CABLOFIL, ne peut être ni copié, ni transmis à des tiers sans autorisation écrite.

Exclusive property of CABLOFIL shouldn't be reproduced or transmitted to any people

without written authorization