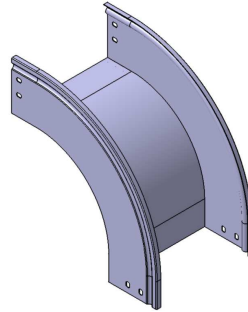


P31 OFT outside riser

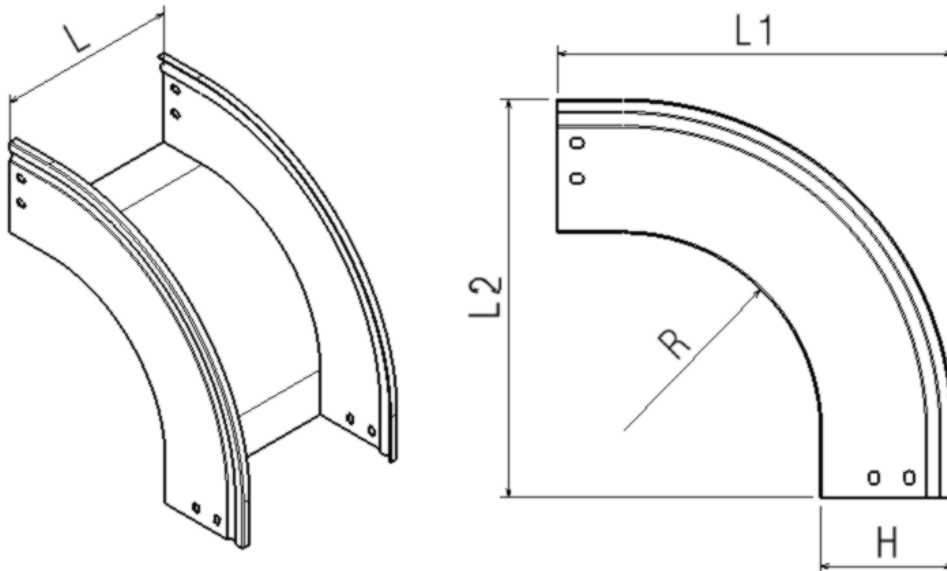
Reference(s) : 341 054/056/057



1 RANGE

Ref	Designation	Matière Raw material	Norme Standard	Finition Coating	Epaisseur Thickness (mm/Inch)	Masse Weight (KG)
341054	outside riser	DX51D+Z200	EN 10346	Pregalv.	0.95/0.037	1.00
341056	outside riser	DX51D+Z200	EN 10346	Pregalv.	0.95/0.037	1.26
341057	outside riser	DX51D+Z200	EN 10346	Pregalv.	0.95/0.037	1.53

Dimensions in (mm/Inch) :



Ref	H	L	R	L1	L2
341054	100/3.937	100/3.937	150/5.905	300/11.811	300/11.811
341056	100/3.937	200/7.874	150/5.905	300/11.811	300/11.811
341057	100/3.937	300/11.811	150/5.905	300/11.811	300/11.811