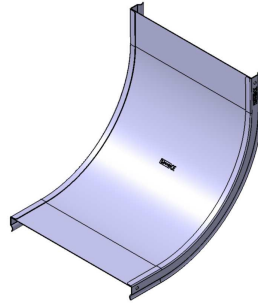


P31 OFT cover inside riser

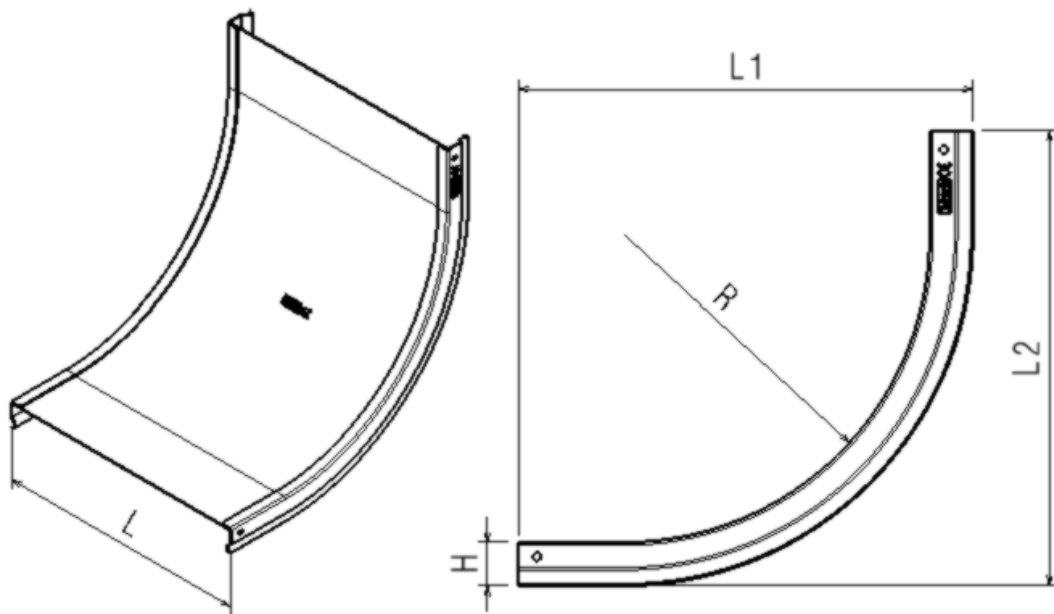
Reference(s) : 341 175/894/895



1 RANGE

Ref	Designation	Matière Raw material	Norme Standard	Finition Coating	Epaisseur Thickness (mm/Inch)	Masse Weight (KG)
341175	cover inside riser	DX51D+Z200	EN 10346	Pregalv.	0.75/0.0295	0.35
340894	cover inside riser	DX51D+Z200	EN 10346	Pregalv.	0.75/0.0295	0.55
340895	cover inside riser	DX51D+Z200	EN 10346	Pregalv.	0.75/0.0295	0.77

Dimensions in (mm/Inch) :



Ref	H	L	R	L1	L2
341175	20/0.787	100/3.937	150/5.905	220/8.661	220/8.661
340894	20/0.787	200/7.874	150/5.905	220/8.661	220/8.661
340895	20/0.787	300/11.811	150/5.905	220/8.661	220/8.661