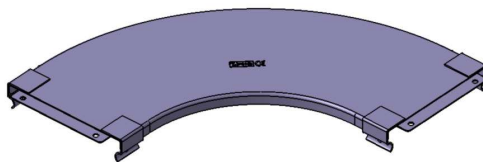


P31 OFT cover flat bend 90

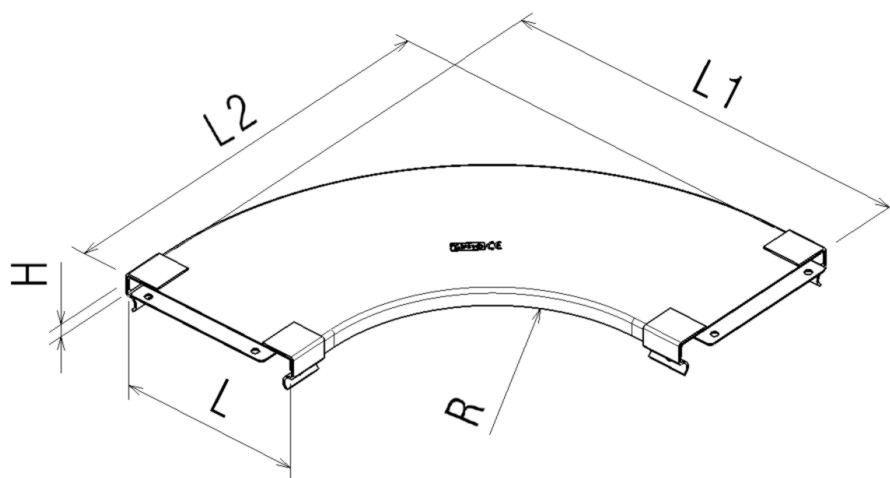
Reference(s) : 340 863/865/866



1 RANGE

Ref	Designation	Matière Raw material	Norme Standard	Finition Coating	Epaisseur Thickness (mm/Inch)	Masse Weight (KG)
340863	cover flat bend 90	DX51D+Z200	EN 10346	Pregalv.	0.75/0.0295	0.22
340865	cover flat bend 90	DX51D+Z200	EN 10346	Pregalv.	0.75/0.0295	0.67
340866	cover flat bend 90	DX51D+Z200	EN 10346	Pregalv.	0.75/0.0295	1.13

Dimensions in (mm/Inch) :



Ref	H	L	R	L1	L2
340863	9/0.354	100/3.937	100/3.937	230/9.055	230/9.055
340865	9/0.354	200/7.874	100/3.937	330/12.992	330/12.992
340866	9/0.354	300/11.811	100/3.937	430/16.929	430/16.929