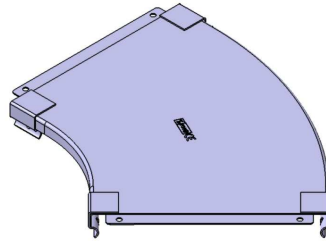


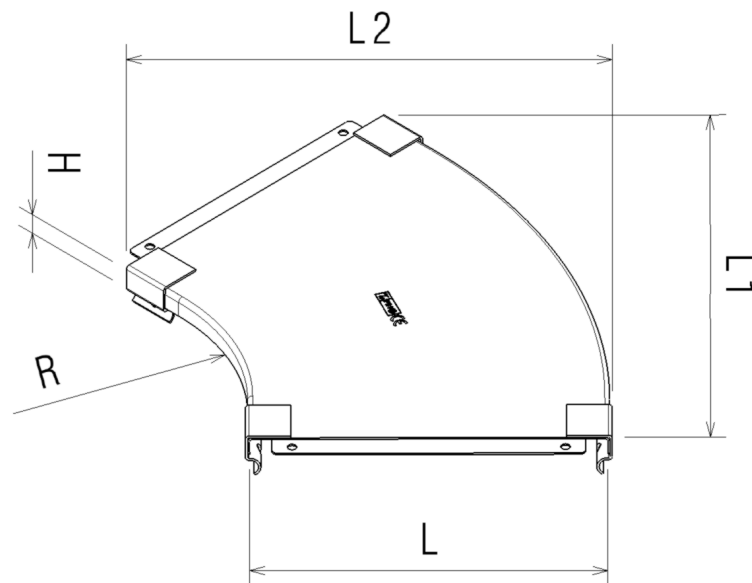
**P31 OFT cover flat bend 45**

Reference(s) : 340 872/874/875


**1 RANGE**

Ref	Designation	Matière Raw material	Norme Standard	Finition Coating	Epaisseur Thickness (mm/Inch)	Masse Weight (KG)
340872	cover flat bend 45	DX51D+Z200	EN 10346	Pregalv.	0.75/0.0295	0.18
340874	cover flat bend 45	DX51D+Z200	EN 10346	Pregalv.	0.75/0.0295	0.40
340875	cover flat bend 45	DX51D+Z200	EN 10346	Pregalv.	0.75/0.0295	0.65

Dimensions in (mm/Inch) :



Ref	H	L	R	L1	L2
340872	9/0.354	100/3.937	100/3.937	193/7.598	151/5.944
340874	9/0.354	200/7.874	100/3.937	263/10.354	251/9.881
340875	9/0.354	300/11.811	100/3.937	334/13.149	351/13.818