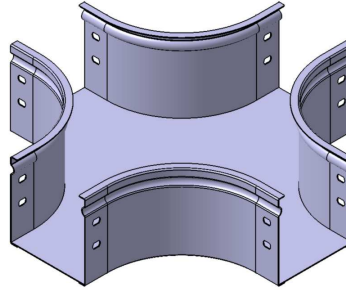


P31 OFT cross OFT X

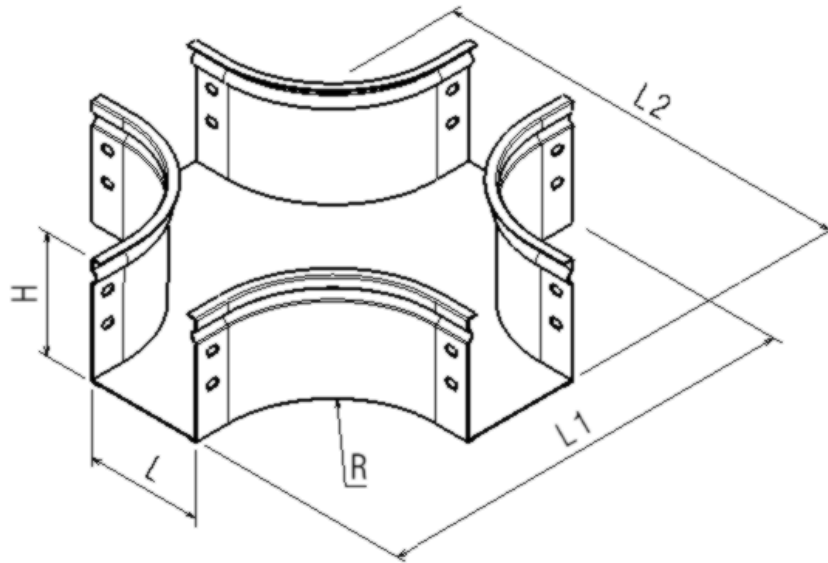
Reference(s) : 341 149/151/152



1 RANGE

Ref	Designation	Matière Raw material	Norme Standard	Finition Coating	Epaisseur Thickness (mm/Inch)	Masse Weight (KG)
341149	cross OFT X	DX51D+Z200	EN 10346	Pregalv.	0.95/0.037	2.04
341151	cross OFT X	DX51D+Z200	EN 10346	Pregalv.	0.95/0.037	3.44
341152	cross OFT X	DX51D+Z200	EN 10346	Pregalv.	0.95/0.037	5.19

Dimensions in (mm/Inch) :



Ref	H	L	R	L1	L2
341149	100/3.937	100/3.937	100/3.937	360/14.173	360/14.173
341151	100/3.937	200/7.874	100/3.937	460/18.110	460/18.110
341152	100/3.937	300/11.811	100/3.937	560/22.047	560/22.047