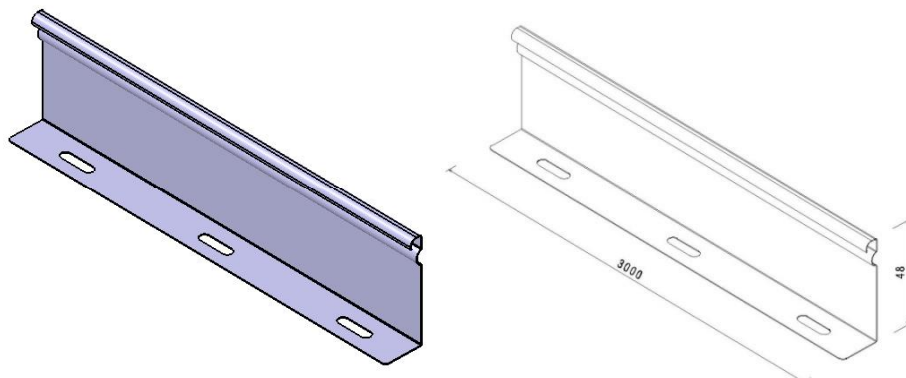


**P31HD - Divider H50 PG**

Reference(s) : 347 474



Ref.	Description	Raw Material (R.M.)	R.M. Standard	Coating Standard	Thickness (mm)	Weight (kg/m)
347 474	Divider H50	DX51D Z275 (RE MIN 220 MPA)	EN10346	//	1	0.7