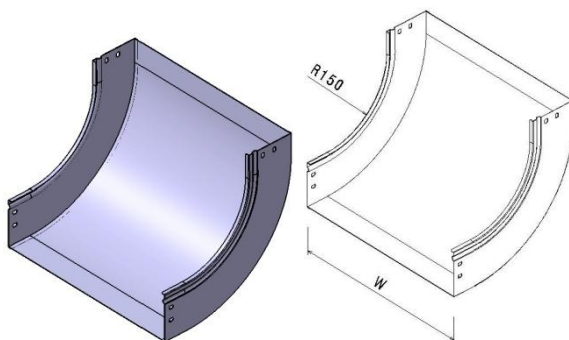


**P31 Inside Riser 90° H100 PG**

Reference (s) : 347 547 to 553



Ref.	Description	Raw Material (R.M.)	R.M. Standard	W (mm)	Thickness (mm)	Weight (kg)
347 547	Inside riser 90° P31 H100 W100	DX51D Z275 (RE MIN 220 MPA)	EN10346	100	1	1.2
347 548	Inside riser 90° P31 H100 W150	DX51D Z275 (RE MIN 220 MPA)	EN10346	150	1	1.3
347 549	Inside riser 90° P31 H100 W200	DX51D Z275 (RE MIN 220 MPA)	EN10346	200	1	1.5
347 550	Inside riser 90° P31 H100 W300	DX51D Z275 (RE MIN 220 MPA)	EN10346	300	1	1.85
347 551	Inside riser 90° P31 H100 W400	DX51D Z275 (RE MIN 220 MPA)	EN10346	400	1	2.2
347 552	Inside riser 90° P31 H100 W500	DX51D Z275 (RE MIN 220 MPA)	EN10346	500	1	2.65
347 553	Inside riser 90° P31 H100 W600	DX51D Z275 (RE MIN 220 MPA)	EN10346	600	1	3.2