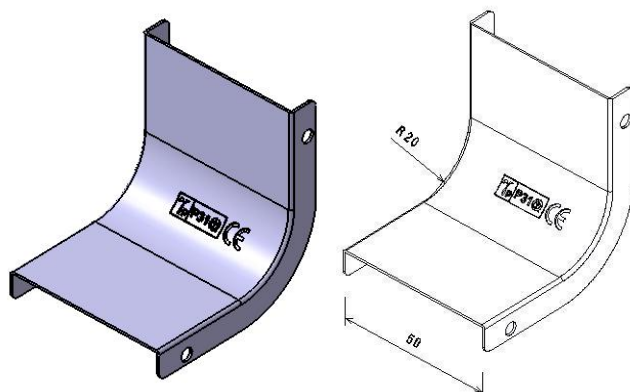


P31 Cover Inside Riser 50x50 PG

Reference(s) : 347 596



Ref.	Description	Raw Material (R.M.)	R.M. Standard	Coating Standard	Thickness (mm)	Weight (kg)
347 596	Cover Inside Riser 90° 50x50	DX51D Z275 (RE MIN 220 MPA)	EN10346	//	1	0.05