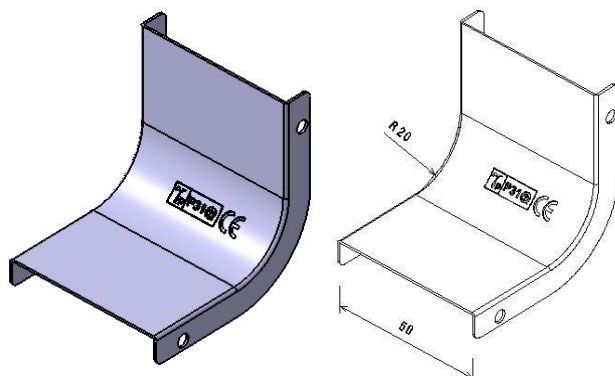


P31 Cover Inside Riser 50x50 HDG

Reference(s) : 345 450



Ref.	Description	Raw Material (R.M.)	R.M. Standard	Coating Standard	Thickness (mm)	Weight (kg)
345 450	Cover Inside Riser HDG 90° 50x50	DX51D Z275 (RE MIN 220 MPA)	EN10346	ISO1461	1	0.05