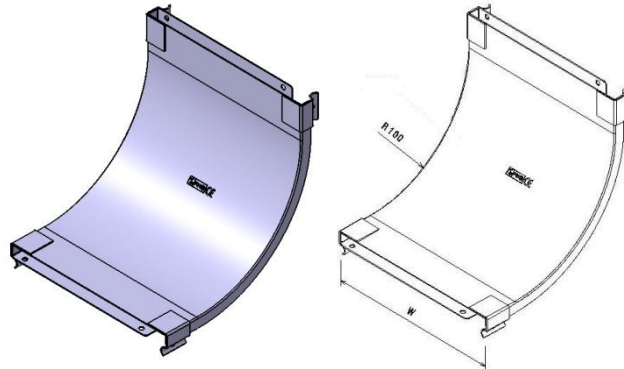


**P31 Cover Inside Riser 90° R100 mm PG**

Reference(s) : 347 597 to 601



Ref.	Description	Raw Material (R.M.)	R.M. Standard	Coating Standard	W (mm)	Thickness (mm)	Weight (kg)
347 597	Cover Inside Riser 90° W75 R100	DX51D Z275 (RE MIN 220 MPA)	EN10346	//	77	1	0.15
347 598	Cover Inside Riser 90° W100 R100	DX51D Z275 (RE MIN 220 MPA)	EN10346	//	100	1	0.2
347 599	Cover Inside Riser 90° W150 R100	DX51D Z275 (RE MIN 220 MPA)	EN10346	//	150	1	0.3
347 600	Cover Inside Riser 90° W200 R100	DX51D Z275 (RE MIN 220 MPA)	EN10346	//	200	1	0.4
347 601	Cover Inside Riser 90° W300 R100	DX51D Z275 (RE MIN 220 MPA)	EN10346	//	300	1	0.55