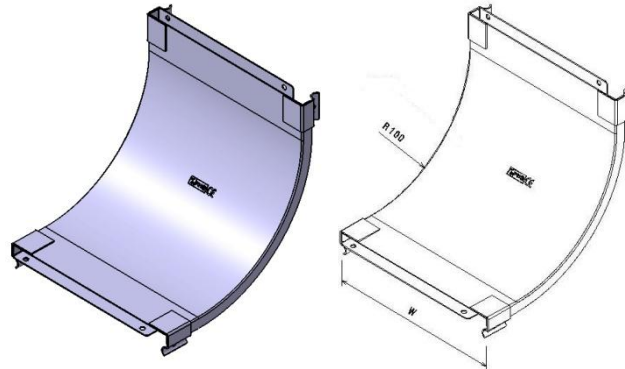


**P31 Cover Inside Riser 90° R100 mm  
HDG**

Reference(s) : 345 451 to 455



Ref.	Description	Raw Material (R.M.)	R.M. Standard	Coating Standard	W (mm)	Thickness (mm)	Weight (kg)
345 451	Cover Inside Riser 90° HDG W75 R100	DX51D Z275 (RE MIN 220 MPA)	EN10346	ISO1461	77	1	0.15
345 452	Cover Inside Riser 90° HDG W100 R100	DX51D Z275 (RE MIN 220 MPA)	EN10346	ISO1461	100	1	0.2
345 453	Cover Inside Riser 90° HDG W150 R100	DX51D Z275 (RE MIN 220 MPA)	EN10346	ISO1461	150	1	0.3
345 454	Cover Inside Riser 90° HDG W200 R100	DX51D Z275 (RE MIN 220 MPA)	EN10346	ISO1461	200	1	0.4
345 455	Cover Inside Riser 90° HDG W300 R100	DX51D Z275 (RE MIN 220 MPA)	EN10346	ISO1461	300	1	0.55