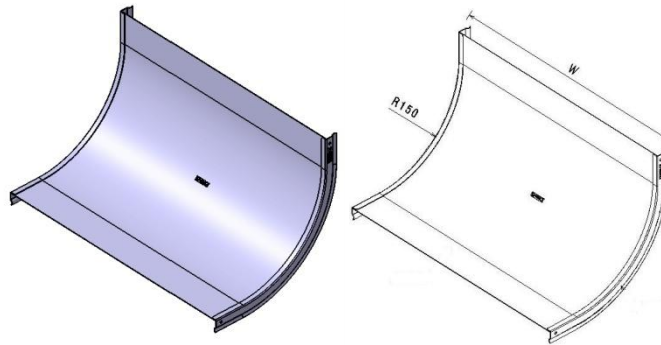


**P31 Cover Inside Riser 90° R150 mm  
HDG**

Reference(s) : 345 456 to 462



Ref.	Description	Raw Material (R.M.)	R.M. Standard	Coating Standard	W (mm)	Thickness (mm)	Weight (kg)
345 459	Cover Inside Riser 90° HDG W100 R150	DX51D Z275 (RE MIN 220 MPA)	EN10346	ISO1461	100	1	0.35
345 460	Cover Inside Riser 90° HDG W150 R150	DX51D Z275 (RE MIN 220 MPA)	EN10346	ISO1461	150	1	0.4
345 461	Cover Inside Riser 90° HDG W200 R150	DX51D Z275 (RE MIN 220 MPA)	EN10346	ISO1461	200	1	0.55
345 462	Cover Inside Riser 90° HDG W300 R150	DX51D Z275 (RE MIN 220 MPA)	EN10346	ISO1461	300	1	0.75
345 456	Cover Inside Riser 90° HDG W400 R150	DX51D Z275 (RE MIN 220 MPA)	EN10346	ISO1461	400	1	1
345 457	Cover Inside Riser 90° HDG W500 R150	DX51D Z275 (RE MIN 220 MPA)	EN10346	ISO1461	500	1	1.2
345 458	Cover Inside Riser 90° HDG W600 R150	DX51D Z275 (RE MIN 220 MPA)	EN10346	ISO1461	600	1	1.4