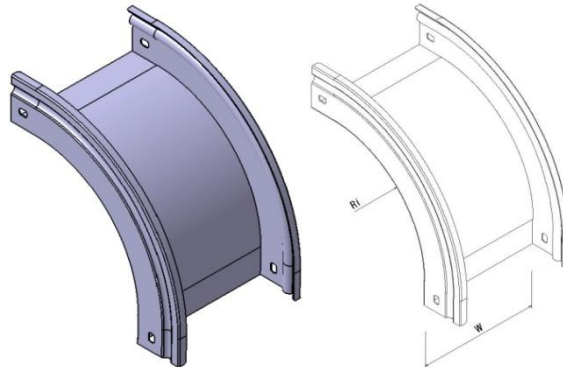


P31 Outside Riser 90° H50 PG

Reference(s) : 347 493 to 501



Ref.	Description	Raw Material (R.M.)	R.M. Standard	W (mm)	Ri (mm)	Thickness (mm)	Weight (kg)
347 493	Outside riser 90° P31 H50 W50	DX51D Z275 (RE MIN 220 MPA)	EN10346	50	20	1	0.2
347 494	Outside riser 90° P31 H50 W75	DX51D Z275 (RE MIN 220 MPA)	EN10346	75	127	1	0.5
347 495	Outside riser 90° P31 H50 W100	DX51D Z275 (RE MIN 220 MPA)	EN10346	100	127	1	0.55
347 496	Outside riser 90° P31 H50 W150	DX51D Z275 (RE MIN 220 MPA)	EN10346	150	127	1	0.6
347 497	Outside riser 90° P31 H50 W200	DX51D Z275 (RE MIN 220 MPA)	EN10346	200	127	1	0.7
347 498	Outside riser 90° P31 H50 W300	DX51D Z275 (RE MIN 220 MPA)	EN10346	300	127	1	0.9
347 499	Outside riser 90° P31 H50 W400	DX51D Z275 (RE MIN 220 MPA)	EN10346	400	200	1	1.75
347 500	Outside riser 90° P31 H50 W500	DX51D Z275 (RE MIN 220 MPA)	EN10346	500	200	1	2.1
347 501	Outside riser 90° P31 H50 W600	DX51D Z275 (RE MIN 220 MPA)	EN10346	600	200	1	2.40