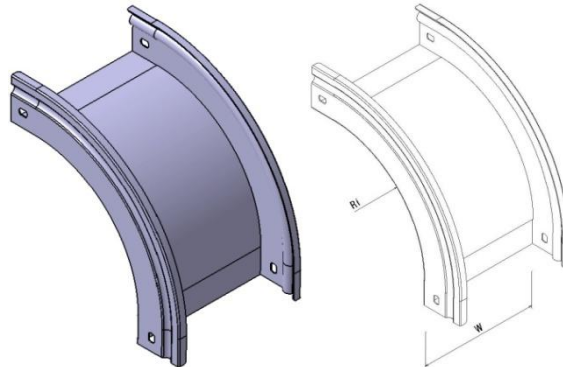


P31 Outside Riser 90° H50 HDG

Reference(s) : 347 676 to 684



Ref.	Description	Raw Material (R.M.)	R.M. Standard	Coating Standard	W (mm)	Ri (mm)	Thickness (mm)	Weight (kg)
347 676	Outside riser 90° P31 HDG H50 W50	DX51D Z275 (RE MIN 220 MPA)	EN10346	ISO1461	50	20	1	0.2
347 677	Outside riser 90° P31 HDG H50 W75	DX51D Z275 (RE MIN 220 MPA)	EN10346	ISO1461	75	127	1	0.5
347 678	Outside riser 90° P31 HDG H50 W100	DX51D Z275 (RE MIN 220 MPA)	EN10346	ISO1461	100	127	1	0.55
347 679	Outside riser 90° P31 HDG H50 W150	DX51D Z275 (RE MIN 220 MPA)	EN10346	ISO1461	150	127	1	0.6
347 680	Outside riser 90° P31 HDG H50 W200	DX51D Z275 (RE MIN 220 MPA)	EN10346	ISO1461	200	127	1	0.7
347 681	Outside riser 90° P31 HDG H50 W300	DX51D Z275 (RE MIN 220 MPA)	EN10346	ISO1461	300	127	1	0.9
347 682	Outside riser 90° P31 HDG H50 W400	DX51D Z275 (RE MIN 220 MPA)	EN10346	ISO1461	400	200	1	1.75
347 683	Outside riser 90° P31 HDG H50 W500	DX51D Z275 (RE MIN 220 MPA)	EN10346	ISO1461	500	200	1	2.1
347 684	Outside riser 90° P31 HDG H50 W600	DX51D Z275 (RE MIN 220 MPA)	EN10346	ISO1461	600	200	1	2.40