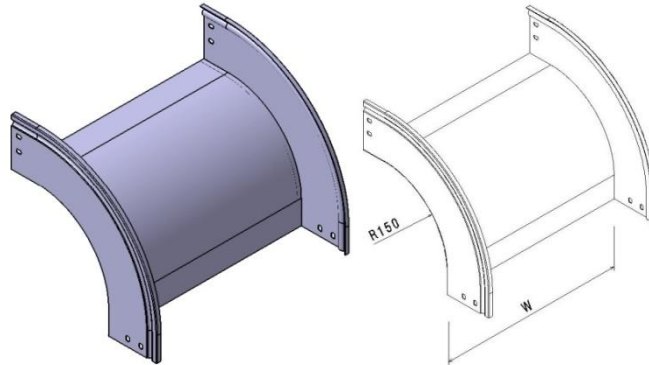


P31 Outside Riser 90° H100 PG

Reference(s) : 347 554 to 560



Ref.	Description	Raw Material (R.M.)	R.M. Standard	W (mm)	Thickness (mm)	Weight (kg)
347 554	Outside riser 90° P31 H100 W100	DX51D Z275 (RE MIN 220 MPA)	EN10346	100	1	1.0
347 555	Outside riser 90° P31 H100 W150	DX51D Z275 (RE MIN 220 MPA)	EN10346	150	1	1.1
347 556	Outside riser 90° P31 H100 W200	DX51D Z275 (RE MIN 220 MPA)	EN10346	200	1	1.3
347 557	Outside riser 90° P31 H100 W300	DX51D Z275 (RE MIN 220 MPA)	EN10346	300	1	1.5
347 558	Outside riser 90° P31 H100 W400	DX51D Z275 (RE MIN 220 MPA)	EN10346	400	1	1.8
347 559	Outside riser 90° P31 H100 W500	DX51D Z275 (RE MIN 220 MPA)	EN10346	500	1	2.1
347 560	Outside riser 90° P31 H100 W600	DX51D Z275 (RE MIN 220 MPA)	EN10346	600	1	2.5